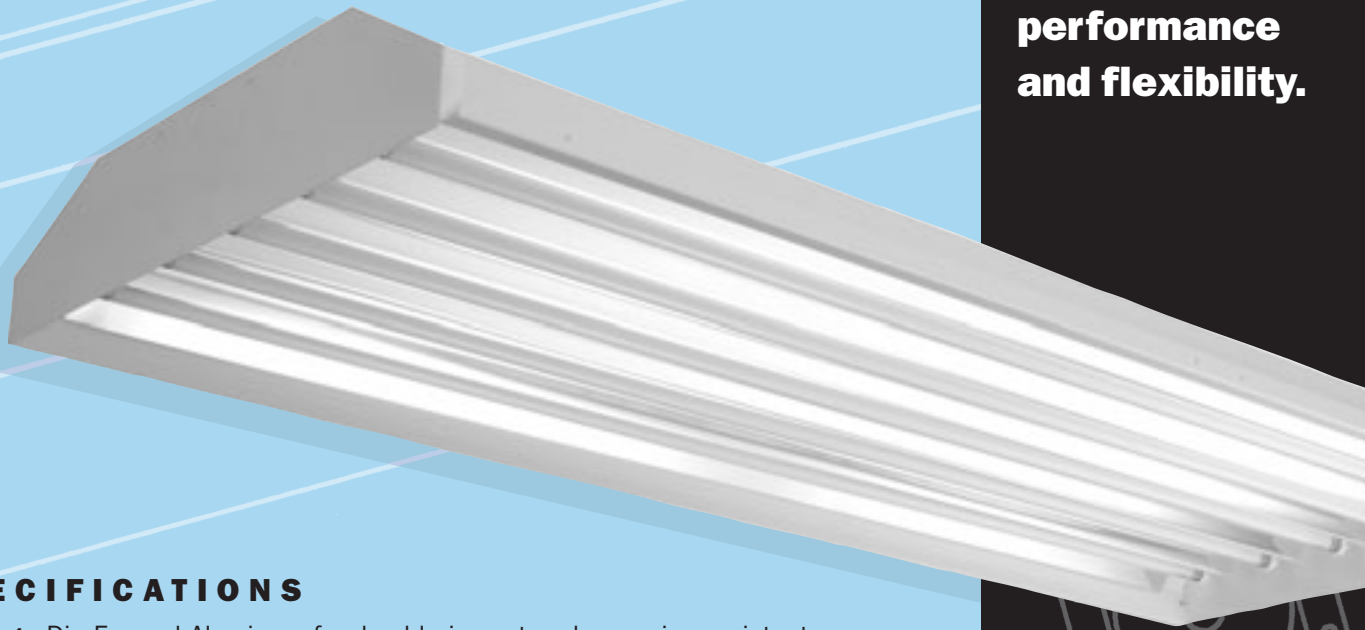


Commerce City, CO 80222

FEATURES

- Instant On (no warm-up or restrike)
- No Color Shift Lamp to Lamp
- No Stroboscopic Effect
- Dimming Available
- Emergency Battery Pack Available
- Multi-level Switching Available
- Standard Electronic
- Program Start Technology
- Minimum Start Temperature 0°F (-20°F available)
- Low Noise (Sound Rated A)
- Low Harmonic Distortion (<10%THD)
- Shallow Housing Depth
- Optional Shielding and Protection Media
- Optional Motion Sensor
- Quick Access Plate for Wiring Simplicity

The output of traditional H.I.D. Hi-Bays using the latest fluorescent lamp-ballast technology to achieve superior performance and flexibility.



SPECIFICATIONS

Housing : Die Formed Aluminum for durable impact and corrosion resistant construction. Featuring quick access plate, KO's, and integrated mounting holes.

Finish : Standard after fabrication white baked polyester powder coating. Other colors and materials available. (Consult factory per application.)

Reflector : Quick access unitized one piece die formed highly specular anodized Miro-4® aluminum.

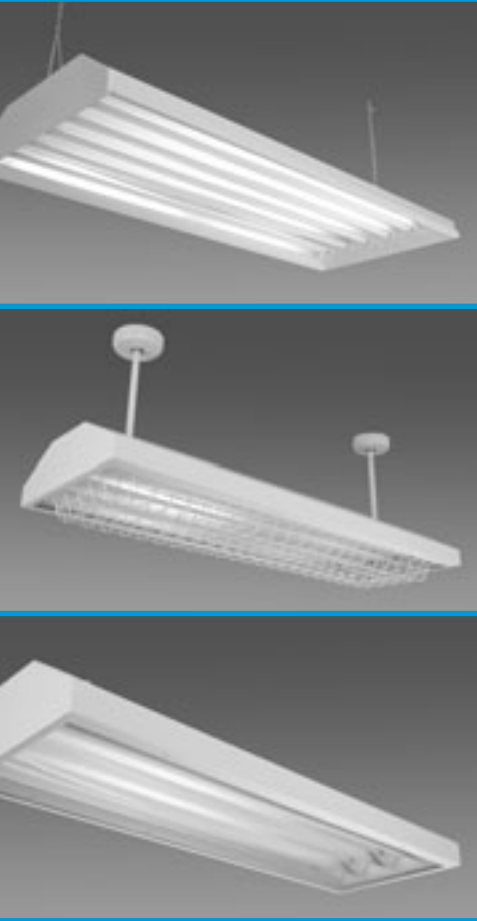
Optional Door Frame & Shielding Material : Die formed steel door frame that is retained by captive screws. Shielding media as directed by others.

Electrical Components : Reliable cool operating U.L. approved electronic program start T5HO Class P rated ballasts, other ballasts required for specific application are available. (Consult factory.)

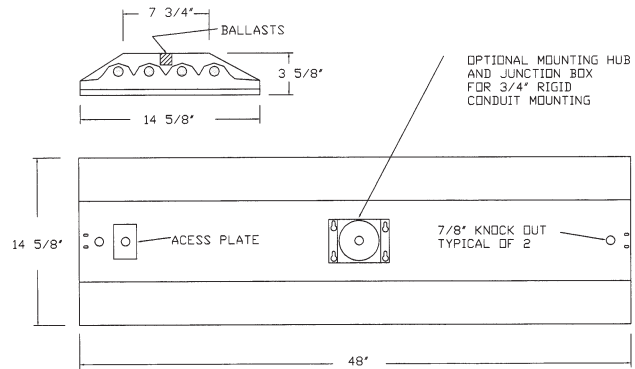
Lamp Holders : T5 rotary locked miniature bipinbase

Mounting : Surface, pendant.

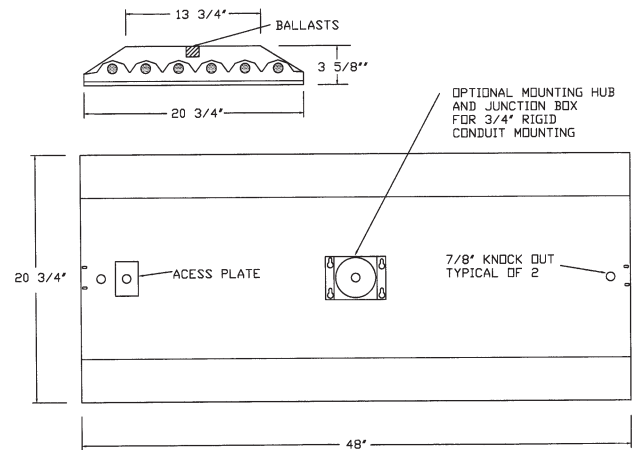
Labels : U.L./C



4-LIGHT



6-LIGHT



ORDERING INFORMATION

Catalog Number:

T5HO		Lamps	Length	Width
TH254T5HO	2-F54T5HO		4'	14 5/8"
TH354T5HO	3-F54T5HO		4'	14 5/8"
TH454T5HO	4-F54T5HO		4'	14 5/8"
TH654T5HO	6-F54T5HO		4'	20 3/4"
TH354-8T5HO	6-F54T5HO		8'	14 5/8"

T8		Lamps	Length	Width
TH232EB8	2-F32T8		4'	14 5/8"
TH332-1EB8	3-F32T8		4'	14 5/8"
TH432-1EB8	4-F32T8		4'	14 5/8"
TH632-2EB8	6-F32T8		4'	20 3/4"
TH332-8-2EB8	6-F32T8		8'	14 5/8"

Options:

Door Frame / Clear Lens	CL
Open, No Frame or Lens	O
Acrylic Prismatic	K12
Wire Guard	WG
Damp Location	DL
Fusing	GLR
RFI Filter	RFI
Galvanized Finish	GAL
Stainless Steel	SS
Custom Color	CC
Emergency Battery	EM
Dimming Ballast	DIM
Multi-Level Switching	MLS
Occupancy Sensor	OS
Hook / Cord / Plug	HCP

Mounting:

3' Chain Set	3C
3' Stem & Canopy	3S
Surface Flush Mounting	SF
Hub Mounting	HM



Photometric Filename: ITL53511.IES

Characteristics

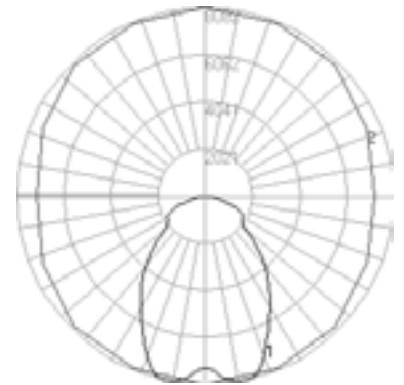
TH-454SH OPEN
Fabricated aluminum housing with white painted interior
Formed multi-faceted metal reflector]specular finish,
Four 54-watt T-5 Sylvania FP54/835/ho linear fluorescents.

Total Luminaire Efficiency 89.20 %
Spacing Criteria (0-180) 1.24
Spacing Criteria (90-270) 1.14

Coefficients Of Utilization - Zonal Cavity Method

Effective Floor Cavity Reflectance 0.20

RC	80				70				50			30			10			0
RW	70	50	30	10	70	50	30	10	50	30	10	50	30	10	50	30	10	0
0	106	106	106	106	104	104	104	104	99	99	99	95	95	95	91	91	91	89
1	98	94	91	88	96	92	89	86	88	86	84	85	83	81	82	80	79	77
2	90	83	78	73	88	82	76	72	78	74	71	76	72	69	73	70	67	66
3	83	74	67	62	81	73	66	61	70	65	60	68	63	59	65	62	58	56
4	76	66	59	53	74	65	58	53	63	57	52	61	56	52	59	55	51	49
5	70	60	52	47	69	59	52	46	57	51	46	55	50	45	54	49	45	43
6	65	54	47	41	64	53	46	41	52	45	41	50	45	40	49	44	40	38
7	61	49	42	37	59	49	42	37	47	41	36	46	40	36	45	40	36	34
8	57	45	38	33	55	45	38	33	44	37	33	42	37	33	41	36	32	31
9	53	42	35	30	52	41	35	30	40	34	30	39	34	30	38	33	30	28
10	50	39	32	27	49	38	32	27	37	31	27	37	31	27	36	31	27	26



Lumen Output is Based on 35 Deg, C Ambient Case Temperature

Photometric Filename: ITL53512.IES

Characteristics

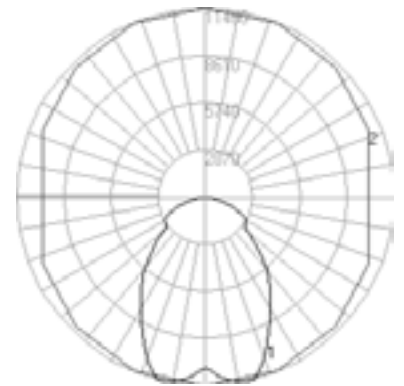
TH-654SH OPEN
Fabricated aluminum housing with white painted interior
Multi-faceted metal reflector with specular finish.
Six 54-watt T-5 Sylvania FP54/835/ho linear fluorescents.

Total Luminaire Efficiency 85.00 %
Spacing Criteria (0-180) 1.24
Spacing Criteria (90-270) 1.14

Coefficients Of Utilization - Zonal Cavity Method

Effective Floor Cavity Reflectance 0.20

RC	80				70				50			30			10			0
RW	70	50	30	10	70	50	30	10	50	30	10	50	30	10	50	30	10	0
0	101	101	101	101	99	99	99	99	94	94	94	90	90	90	87	87	87	85
1	93	90	87	84	91	88	85	82	84	82	80	81	79	77	78	76	75	73
2	86	79	74	70	84	78	73	69	75	71	67	72	69	66	70	67	64	62
3	79	70	64	59	77	69	63	58	67	62	57	64	60	56	62	59	55	54
4	73	63	56	51	71	62	55	50	60	54	50	58	53	49	56	52	48	47
5	67	57	50	44	65	56	49	44	54	48	44	52	47	43	51	46	43	41
6	62	51	44	39	61	51	44	39	49	43	39	48	42	38	46	42	38	36
7	58	47	40	35	56	46	40	35	45	39	35	44	38	34	43	38	34	32
8	54	43	36	31	53	42	36	31	41	35	31	40	35	31	39	34	31	29
9	51	40	33	28	49	39	33	28	38	32	28	37	32	28	36	32	28	27
10	48	37	30	26	46	36	30	26	35	30	26	35	29	26	34	29	26	24



TECHNICAL DATA

APPLICATION and PERFORMANCE SPECIFICATION

Electronic ballast for (½) T54T5HO

Description:

- Line Voltage: 120 – 277 – 480 vac, < 10%, 50/60Hz
- Series Lamp Operation
- Auto Reset after Lamp Replacement
- Programmed Rapid Start
- Active Power Factor Correction
- End of Lamp Life Shutdown Circuitry

Technical:

Line Volts	No. of Lamps	Lamp Type	Input Watts	Nominal Line Amps	Ballast Factor	Harmonic Total	Crest Factor
120	2	F54T5HO	121	1.03	1.00	< 10%	< 1.7
120	1	F54T5HO	64	0.64	1.10	< 10%	< 1.7
277	2	F54T5HO	117	0.43	1.00	< 10%	< 1.7
277	1	F54T5HO	64	0.24	1.10	< 10%	< 1.7

Performance:

- Meets ANSI standard C82.11-1993
- Meets ANSI standard C62.41-1991
- Meets FCC Part 18 (Class A) for EMI and RFI

Application:

- Minimum Starting Temperature: 0 deg F, -18 deg C
- Maximum Ambient Temperature: 104 deg F, 40 deg C
- Maximum Case Temperature: 167 deg F, 75 deg C
- Sound Rating: Class A
- Remote Mounting: 18 ft.

Safety:

- No PCB's
- UL listed (Class P, Type 1 Outdoor)
- CSA Certified

Lamp Data:

- Initial Lumens: 5000 Lumens @ 35 deg C Ambient Case Temperature
- Life: 20,000 Hrs. @ 3 Hrs./Start