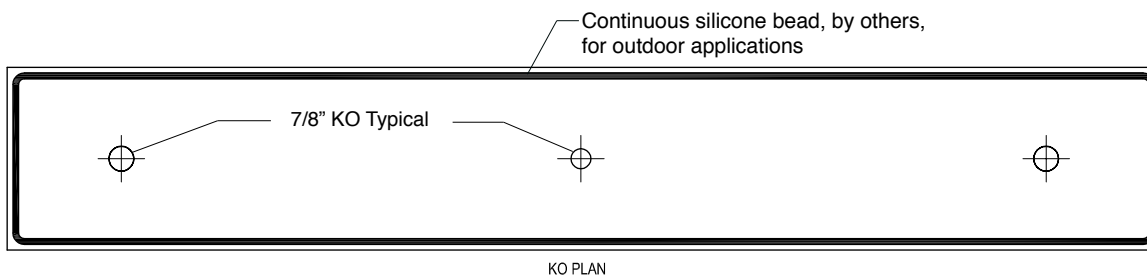
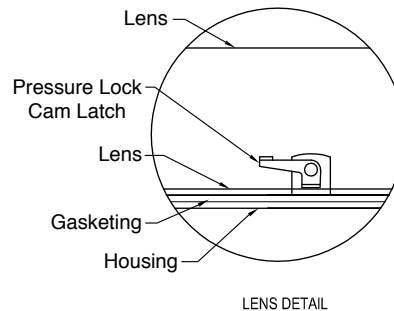
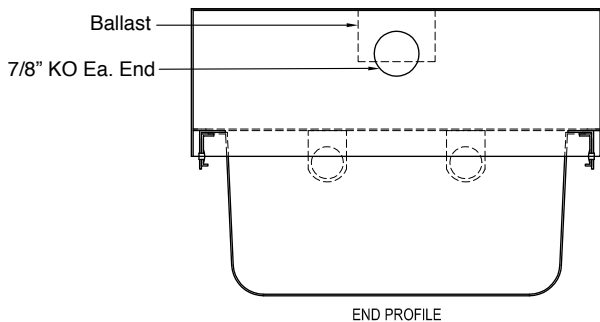


WARNINGS

RISK OF ELECTRICAL SHOCK OR FIRE - DISCONNECT POWER DURING INSTALLATION / SERVICING.
 LET FIXTURE COOL BEFORE SERVICING.
 READ ALL INSTRUCTIONS COMPLETELY BEFORE STARTING INSTALLATION.
 INSTALL & WIRE IN ACCORDANCE TO ALL NATIONAL & LOCAL CODES BY A CERTIFIED ELECTRICIAN.

INSTALLATION

1. WARNING - ELECTRICAL SHOCK or FIRE - Disconnect power.
2. Drill mounting holes in back of housing and mount via appropriate fasteners, by others, into adequate support structure.
 For outdoor applications, provide a continuous bead of silicone, by others, around the back of housing for an adequate seal.
3. Use provided K.O. and wire in accordance to all national and local codes.
4. Install cover pan via supplied hardware.
5. Install appropriate lamps. Not provided unless ordered with luminaire.
6. Reinstall lens. Make sure housing and lens are secure.
7. Reconnect power and make sure luminaire operates properly.



Luminaire Power Disconnect

CODE COMPLIANT, FACTORY INSTALLED POWER DISCONNECT

Input Side Daisy Chain
 Conductor Types -
 Power Side -AWG 18-12 solid /
 stranded - AWG 16-12, ≤ 19 strands
 Ballast Side - 18 AWG solid