



Project Name:	
Type:	Date:
Catalog #:	

Description:

The Nulite JPC series is a round formed luminaire which features energy efficient compact or circline fluorescent and acrylic or optional polycarbonate diffuser.

Specifications:

Construction: The housing is die formed cold rolled steel. Diffuser is removable by thumb screws. Optional black housing is available.

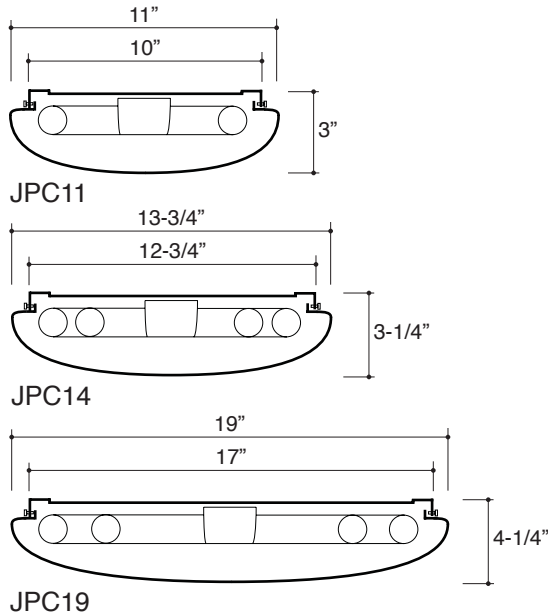
Diffuser: One piece injection molded white acrylic, optional polycarbonate.

Reflector / Ballast: Reflector pan is finished with a high reflectance white paint. Integral electronic ballast is standard.

Lamping: Compact and circline fluorescent. Luminaire can be ordered with lamps, consult factory.

Mounting: Surface. Mounts over recessed outlet box by others.

Labels: UL / cUL listed. Damp location is optional.



Ordering Information

Sample: JPC14-132FC-120

Series	Lamp	Wattage	Voltage	Options
JPC11 (11" Dia.)	1	9CFT 9W/G23	120 277	DL Damp Location TP Tamper Resistant (Spanner head screws) GLR Fusing POLY Polycarbonate Lens Consult factory for custom color housing.
		13CFT 13W/G24q-1		
		22FC 22W FC8T9 Circline		
JPC14 (13-3/4" Dia.)	2	9CFT 9W/G23		
		13CFT 13W/G24q-1		
	1	18CFQ 18W/G24q-2		
	2	26CFQ 26W/G24q-3		
	1	32FC 32W FC12T9 Circline		
	2	2232FC 22W+32W FC8T9/FC12T9 Circline		
JPC19 (19" Dia.)	3	18CFQ 18W/G24q-2		
		26CFQ 26W/G24q-3		
	1	40FC 40W FC16T9 Circline		
	2	3240FC 32W+40W FC12T9/FC16T9 Circline		

Typical plan view of back of housing

