



Project Name:	
Type:	Date:
Catalog #:	

Description:

The Nulite MM series is a nominal 13" x 13" recessed HID luminaire. This product features a high strength Corning #73 tempered glass, low brightness, prismatic lens. Prismatic drop lenses are available.

Specifications:

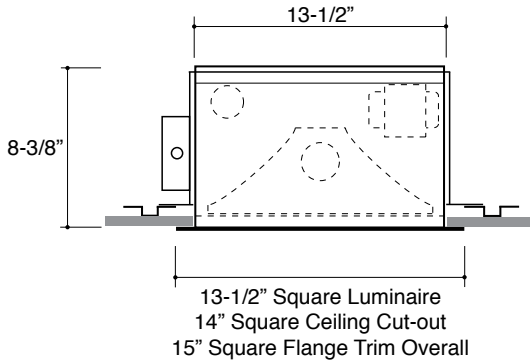
Construction: Heavy duty die formed aluminum housing. Electrostatically applied powder coat white paint finish. Trim frame finish in natural aluminum. Corning #73 tempered glass, low brightness, prismatic lens with optional drop clear prismatic acrylic or polycarbonate.

Reflector / Ballast: Reflector is formed aluminum and powder coated with high reflectance white paint. Ballast is open core and coil.

Lamping: 1 lamp pulse start metal halide or high pressure sodium. Luminaire can be ordered with lamp, consult factory.

Mounting: Ceiling mounted non-IC only.

Labels: UL / cUL listed, suitable for Damp Locations. Non-IC rated.



Ordering Information

Sample: MM-150MH-277-WH-DP

Series	Wattage	Voltage	Color	Options
MM				
	High Pressure Sodium	120	WH White (Standard)	QRS Quartz Restrike/Relay
	70HPS 70W HPS/MED	277		DA Clear Prismatic Drop Acrylic
	100HPS 100W HPS/MED	347		DP Clear Prismatic Drop Polycarbonate
	150HPS 150W HPS/MED	480		TP Tampered Resistant Screws (Spanner head screws)
	Pulse Start Metal Halide			GLR Fusing
	50MH 50W MH/MED	MT Multi-Tap 120/208/240/277		
	70MH 70W MH/MED			
	100MH 100W MH/MED			
	150MH 150W MH/MED			