

Project Name:	
Type:	Date:
Catalog #:	

**Description:**

The Nulite G66 series is a nominal 6"x6" recessed troffer designed for exposed T-bar ceilings. The slender design is ideal for corridors, open and private offices, classrooms, lobbies and general purpose rooms.

**Specifications:**

**Construction:** Die formed 20 gauge cold rolled steel. Housing is finished with electrostatically applied white powder coat paint.

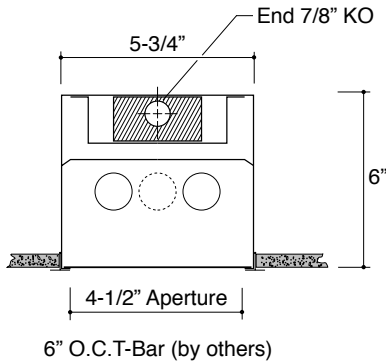
**Reflector / Ballast:** Ballast cover is finished with high reflectance white powder coat paint. Standard electronic, Class P, ballast. Universal (UNV) voltage ballast is from 120 to 277V.

**Shielding:** A12 prismatic lens is standard shielding offering high efficiency illumination. Optional diffusers and louvers can be provided. All diffusers "lift and shift" for easy maintenance.

**Lamping:** 1 or 2 lamp cross-section T5, T5HO or T8. Nominal 6' or 8' units are tandem lamp configurations. Luminaire can be ordered with lamps, consult factory.

**Mounting:** Exposed T-bar on 6" centers. Non-IC rated.

**Labels:** UL / cUL listed. Non-IC rated. Damp location is optional.



Length	Wattage
24"	14T5, 24T5HO, 17T8
48"	28T5, 54T5HO, 32T8
96"	28T5-8, 54T5HO-8, 32T8-8

**Ordering Information**

Sample: G66-232T8-277-HEISN-AML P-FLEX3

Series	Lamp	Wattage	Voltage	Ballast	Options
G66	1 2	14T5	UNV 120	T8 Options	EM <sup>2</sup> Emergency Battery Pack ASW Acrylic Smooth White Lens ASTN Acrylic Satin Lens AML P Acrylic MicroLinear Prismatic Lens SPC1 Square Silver Parabolic (1/2") SPC2 Square Silver Parabolic (1-1/2") EC White Cube Louver (1/2") CBW 1"H x 1" o.c. White Cross Baffle PBS 1-3/8"H x 2" o.c. Semi-specular Aluminum Parabolic Cross Baffle DL Damp Location GLR Fusing FLEX3 6' of Flex, 3-wire
		17T8		IS (Standard) Instant Start	
	28T5	277	PS Program Start	L Low	
	54T5HO	347 <sup>1</sup>	HEIS High Efficiency Instant Start	H High	
		32T8		HEPS High Efficiency Program Start	
		28T5-8		T5/T5HO	Ballast Factor
		54T5HO-8		PS (Standard) Program Start	N Normal
		32T8-8		HEPS <sup>1</sup> High Efficiency Program Start	
				All Lamp Dimming Options	
				DIM <sup>1</sup> Dimming	
				SD <sup>1</sup> Step Dimming	

- Notes:  
1. Consult factory.  
2. Specific voltage must be ordered for this option. Consult factory for nominal 2' units.

*Specifications and dimensions are subject to change without notification. Specification sheets on our website supersede all other versions.* 2010 Rev. C  
Nulite reserves the right to bulk package any order.

**Photometric Curve**

Cat.# G66-132T8...  
 Initial lamp lumens - 2900  
 Prismatic lens and white reflector

