



Project Name:	
Type:	Date:
Catalog #:	

Description:

The Nulite UD series is designed for medicine cabinets, fitting rooms, over mirrors and other difficult locations to illuminate with a wall mounted luminaire.

Specifications:

Construction: Die formed cold rolled steel housing and end caps finished with white enamel paint. Optional chrome finish.

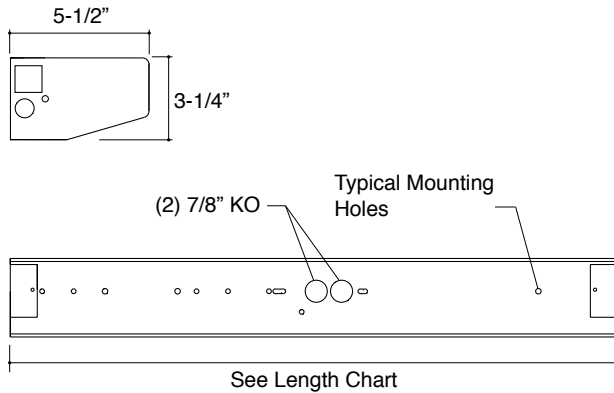
Diffuser: Extruded smooth white acrylic lens.

Reflector / Ballast: Ballast cover is finished with high reflectance white enamel paint. Standard electronic, Class P, ballast. Universal (UNV) voltage ballast is from 120V to 277V.

Lamping: 1 or 2 lamp cross-section in nominal 2', 3', or 4' lengths. Luminaire can be ordered with lamp, consult factory.

Mounting: Wall, individually.

Labels: UL / cUL listed. Damp location is optional.



Length	Wattage
24-1/4"	14T5, 24T5HO, 17T8
36-1/4"	21T5, 39T5HO, 25T8
48-1/4"	28T5, 54T5HO, 32T8

Ordering Information

Sample: UD-132T8-120-ISN-WH-CO-TS

Series	Lamp	Wattage	Voltage	Ballast	Color	Options
UD	1	14T5	UNV	T8 Options	WH White (Standard) CH Chrome	CO Convenience Outlet (120V Only) TS Turn Switch (120V Only) PS Pull Switch (120V Only) DL Damp Location EM ² Emergency Battery Pack GLR Fusing
		24T5HO	120	IS (Standard) Instant Start		
	2	17T8	277	PS Program Start	L Low	
		21T5	347 ¹	HEIS High Efficiency Instant Start	H High	
	39T5HO		HEPS High Efficiency Program Start			
	25T8		T5/T5HO	Ballast Factor		
	28T5		PS (Standard) Program Start	N Normal		
	54T5HO		HEPS ¹ High Efficiency Program Start			
	32T8		All Lamp Dimming Options			
			DIM ¹ Dimming			
		SD ¹ Step Dimming				

Note:

1. Consult factory.

2. Specific voltage must be ordered for this option. Consult factory for nominal 2' and 3' units.