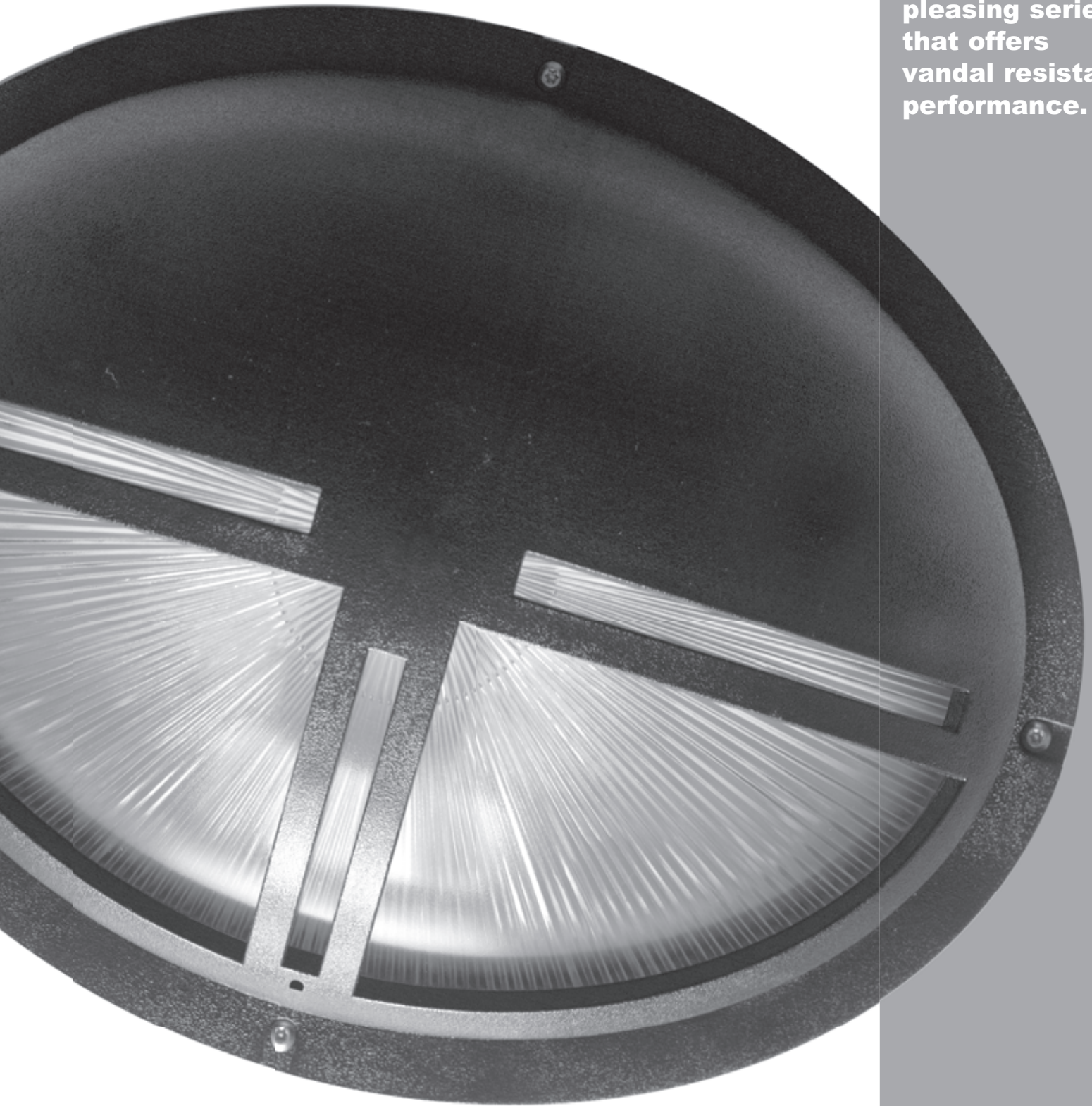


NULLITE™

RAZ

**An aesthetically
pleasing series
that offers
vandal resistant
performance.**



7001 East 57th Place
Commerce City, CO 80022
Telephone 303-287-9646
FAX 303-287-0316

DESIGN OPTIONS

ROUND HOUSING



Open Guard



Cross Guard



Eyelid Guard

OVAL HOUSING



Open Guard



Cross Guard



Horizontal Eyelid Guard



Vertical Eyelid Guard

HOUSING DEPTHS



Shallow

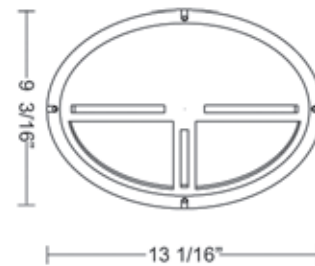
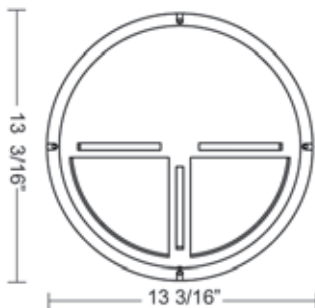


CFL HW
(High Wattage)



Deep

DIMENSIONS



DEPTHS

OVAL OPEN GUARD			OVAL CROSS/EYELID GUARD			ROUND OPEN GUARD			ROUND CROSS/EYELID GUARDS		
Shallow	CFL HW	Deep	Shallow	CFL HW	Deep	Shallow	CFL HW	Deep	Shallow	CFL HW	Deep
3 3/4"	6 1/4"	7 5/8"	3 3/4"	6 1/4"	7 5/8"	3 3/4"	6 1/4"	7 5/8"	3 3/4"	6 1/4"	7 5/8"

FEATURES

The attractive styling and vandal resistant performance make the RAZ series ideal for:

- **Parking Structures**
- **Building Facades & Walkways**
- **Schools and College Campuses**
- **Office Applications, interior & exterior**
- **Ideal for indicating direction and location**



SPECIFICATIONS

- 1. Housing**

Die cast marine grade aluminum housing for durable impact and corrosion resistant construction. Housings are available in a choice of three depths determined by the lamp wattage. CFL HW and HID housing feature 4 threaded and plugged conduit entry points for easy installation. Standard color is bronze. Optional colors include black and white. For custom color options contact factory.
- 2. Lens**

Injection molded UV-stabilized polycarbonate lens with radial prisms for more even illumination. Standard lens finish is a translucent white. Optional lens include a clear and frost finish.
- 3. Guard**

Injection molded UV-stabilized polycarbonate guard offered in a variety of designs. Guard features integral weep holes for drainage of moisture. Available in several design options. Standard color is bronze. Optional colors include black and white. For custom color options contact factory.
- 4. Gasketing**

Both the lens and housing are gasketed with a EPDM ribbed rubber gasket to seal out moisture and debris.
- 5. Tamper Proof Screws**

Optional tamper proof stainless steel screws offer vandal resistant performance.