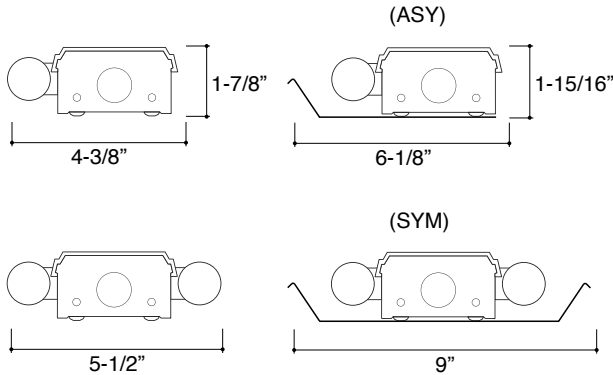




Project Name:	
Type:	Date:
Catalog #:	

Description:

The Nulite SES side mount strip is a commercial grade luminaire which is ideal for retail, residential, commercial and industrial applications where depth is an issue.



Specifications:

Construction: Die formed 22 gauge cold rolled steel designed for maximum strength with 7/8" KOs. The housing finish is white polyester polymer with a minimum of 82% reflectance. End caps and ballast cover snap in for easy installation and maintenance.

Reflector / Ballast: Reflector is finished with a minimum of 82% reflectance white polyester polymer. Standard electronic, class P, ballast. Universal (UNV) voltage ballast is from 120 to 277V.

Lamping: 1 or 2 lamp cross-section T8. Nominal 6' or 8' housing is a tandem lamp configuration. Luminaire can be ordered with lamps, consult factory.

Mounting: Luminaires may be mounted surface or suspended, individually or in continuous rows.

Labels: UL / cUL listed. Suitable for Damp Location optional.

Length	Wattage
24"	17T8
36"	25T8
48"	32T8
72"	25T8-6
96"	32T8-8

Ordering Information

Sample: SES-232T8-8-UNV-DL-SYM

Series	Lamp	Wattage	Voltage	Ballast	Options
SES	1	17T8	UNV	Blank = Instant S.	EM ² Emergency Battery Pack
	2	25T8	120	PRS = Program S.	DL Damp Location
		32T8	277	DIM ¹ = Dimming	
		25T8-6			
		32T8-8	347 ¹		
					ASY ³ Asymmetrical Reflector
					SYM ³ Symmetrical Reflector

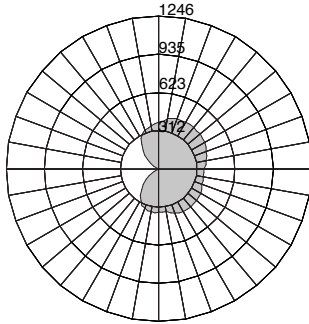
Notes:

1. Consult factory.
2. Consult factory for 2' unit. Emergency battery pack is not available for UNV voltage code. Specific voltage must be ordered for this option.
3. "ASY" option for 1-light cross section, and "SYM" option for 2-light cross section only.

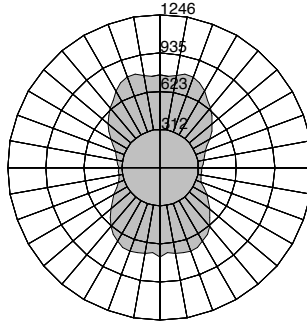
Photometric Curves



Cat.# SES-132T8...*
Initial lamp lumens - 2900
Efficiency - 95%



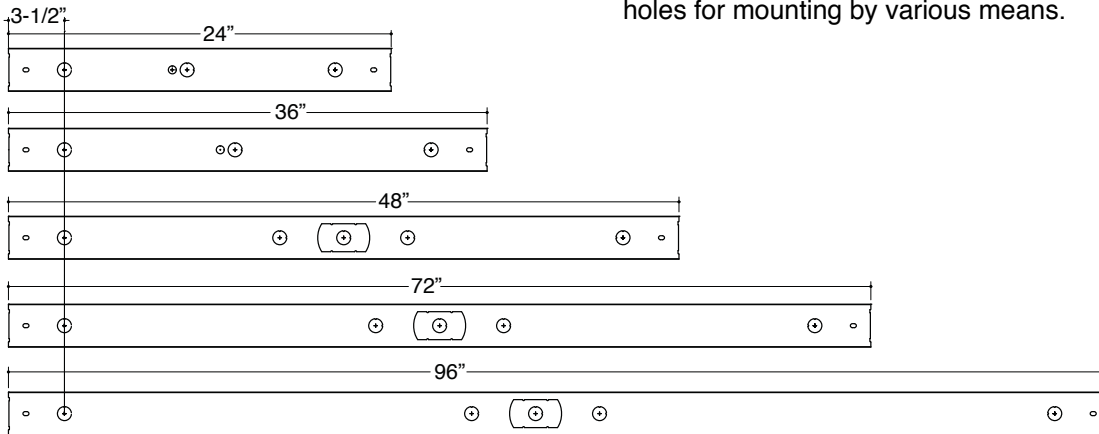
Cat.# SES-232T8...*
Initial lamp lumens - 5800
Efficiency - 95%



*Housing are finished with a minimum of 82% reflectance white polyester polymer.

Plan view of K.O. on back of channel

All side mount strips have 7/8" K.O. on both ends as well as on the back of the channel. In addition, each channel has eyelets and other holes for mounting by various means.



Specifications and dimensions are subject to change without notification.