



Project Name:	
Type:	Date:
Catalog #:	

Description:

The Nulite SES side mount strip is a commercial grade luminaire which is ideal for retail, residential, commercial and industrial applications where depth is an issue.

Specifications:

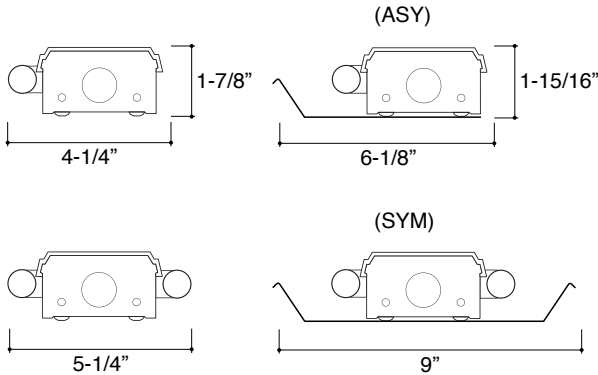
Construction: Die formed 22 gauge cold rolled steel designed for maximum strength with 7/8" KO's. The housing finish is white polyester polymer with a minimum of 82% reflectance. End caps and ballast cover snap in for easy installation and maintenance.

Reflector / Ballast: Reflector is finished with a minimum of 82% reflectance white polyester polymer. Standard electronic, class P, ballast. Universal (UNV) voltage ballast is from 120 to 277V.

Lamping: 1 or 2 lamp cross-section T5 or T5HO. Nominal 6' or 8' housing is a tandem lamp configuration. Luminaire can be ordered with lamps, consult factory.

Mounting: Luminaires may be mounted surface or suspended, individually or in continuous rows.

Labels: UL / cUL listed. Suitable for Damp Location optional.



Length	Wattage
22-3/8"	14T5, 24T5HO
34-1/8"	21T5, 39T5HO
46"	28T5, 54T5HO
68-1/8"	21T5-6, 39T5HO-6
92"	28T5-8, 54T5HO-8

Ordering Information

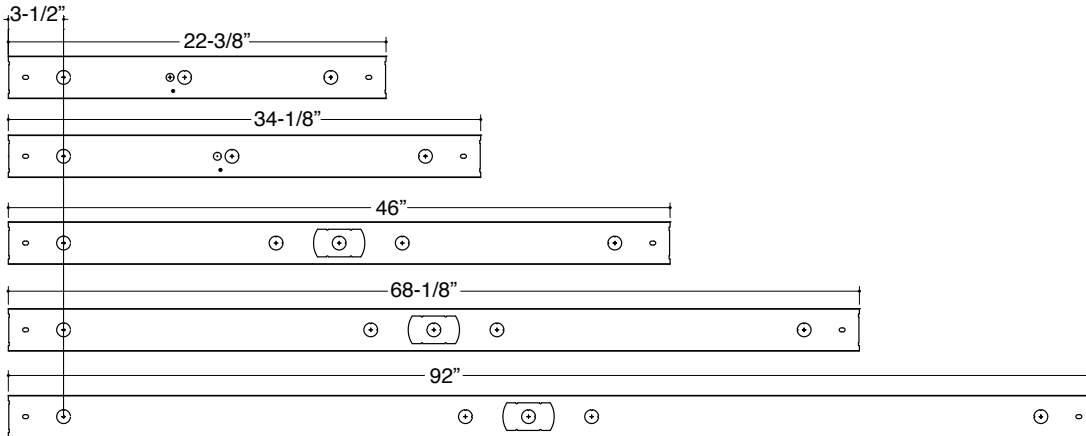
Sample: SES-228T5-UNV-DL

Series	Lamp	Wattage	Voltage	Ballast	Options	
SES	1	14T5	UNV	Blank = Program S. DIM ¹ = Dimming	EM ² Emergency Battery Pack	ASY ³ Asymmetrical Reflector
		24T5HO	120			
	2	21T5	277		DL Damp Location	SYM ³ Symmetrical Reflector
		39T5HO	277			
		28T5	347 ¹			
		54T5HO	480 ¹			
		21T5-6				
		39T5HO-6				
		28T5-8				
54T5HO-8						

- Notes:
1. Consult factory.
 2. Consult factory for 2' unit. Emergency battery pack is not available for UNV voltage code. Specific voltage must be ordered for this option.
 3. "ASY" option for 1-light cross section, and "SYM" option for 2-light cross section only.

All side mount strips have 7/8" K.O. on both ends as well as on the back of the channel. In addition, each channel has eyelets and other holes for mounting by various means.

Plan view of K.O. on back of channel



Specifications and dimensions are subject to change without notification.