



Project Name:	
Type:	Date:
Catalog #:	

Description:

The Nulite SEN series narrow body strip is a commercial grade luminaire which is ideal for retail, residential, commercial and industrial applications. Strips may be surface mounted or suspended, individually or in continuous row.

Specifications:

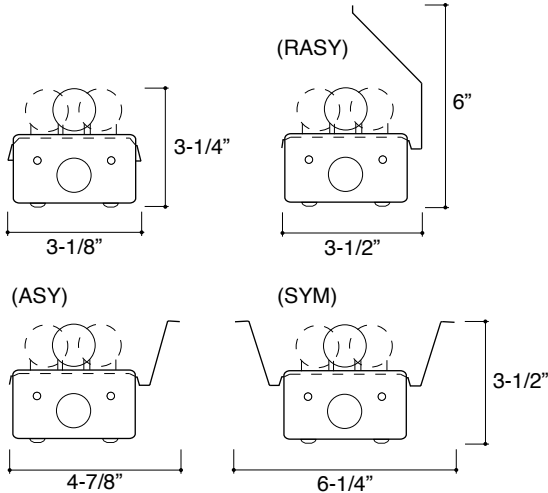
Construction: Die formed, 22 gauge, cold rolled steel designed for maximum strength with 7/8" KOs. The housing finish is white polyester polymer with a minimum of 82% reflectance.

Reflector / Ballast: Ballast cover/reflector is finished with a minimum of 82% reflectance baked white enamel. Standard electronic, Class P, ballast. Universal (UNV) voltage ballast is from 120 to 277V.

Lamping: 1 or 2 lamp cross-section T8. Nominal 6' or 8' housing is a tandem lamp configuration. Luminaire can be ordered with lamps, consult factory.

Mounting: Luminaires may be surface mounted or suspended, individually or in continuous row.

Labels: UL / cUL listed. Damp location is optional.



Length	Wattage
24"	17T8
36"	25T8
48"	32T8
72"	25T8-6
96"	32T8-8

Ordering Information

Sample: SEN-232T8-8-277-PSN-SYM

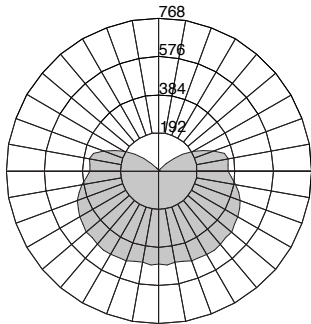
Series	Lamp	Wattage	Voltage	Ballast	Options
SEN	1	17T8	UNV	T8 Options	EM ² Emergency Battery Pack DL Damp Location WG ³ Wireguard GLR Fusing
	2	25T8 32T8 25T8-6 32T8-8	120 277 347 ¹	IS (Standard) Instant Start PS Program Start HEIS High Efficiency Instant Start HEPS High Efficiency Program Start	
Dimming Options					ASY Asymmetrical Reflector SYM Symmetrical Reflector RASY Reverse Asymmetrical Reflector QW Quick Through Wiring for Continuous Row Applications
DIM ¹ Dimming SD ¹ Step Dimming					

- Notes:
1. Consult factory.
 2. Consult factory for 2' unit. Specific voltage must be ordered for this option.
 3. Wireguard is not available with all reflectors, consult factory.

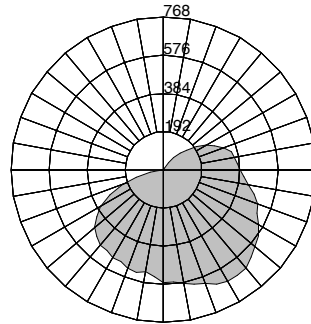
Specifications and dimensions are subject to change without notification. Specification sheets on our website supersede all other versions. 2010 Rev. B2 Nulite reserves the right to bulk package any order.

Photometric Curves

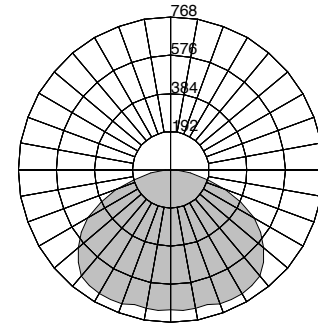
Cat.# SEN-132T8...*
Initial lamp lumens - 2900
Efficiency - 94%



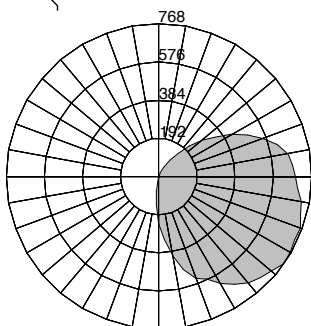
Cat.# SEN-132T8...-ASY*
Initial lamp lumens - 2900
Efficiency - 91%



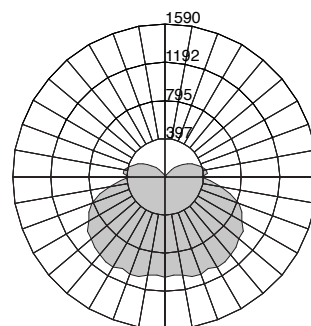
Cat.# SEN-132T8...-SYM*
Initial lamp lumens - 2900
Efficiency - 87%



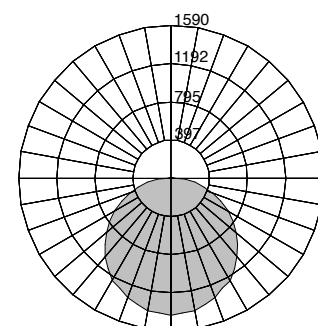
Cat.# SEN-132T8...-RASY*
Initial lamp lumens - 2900
Efficiency - 79%



Cat.# SEN-232T8...*
Initial lamp lumens - 5800
Efficiency - 91%



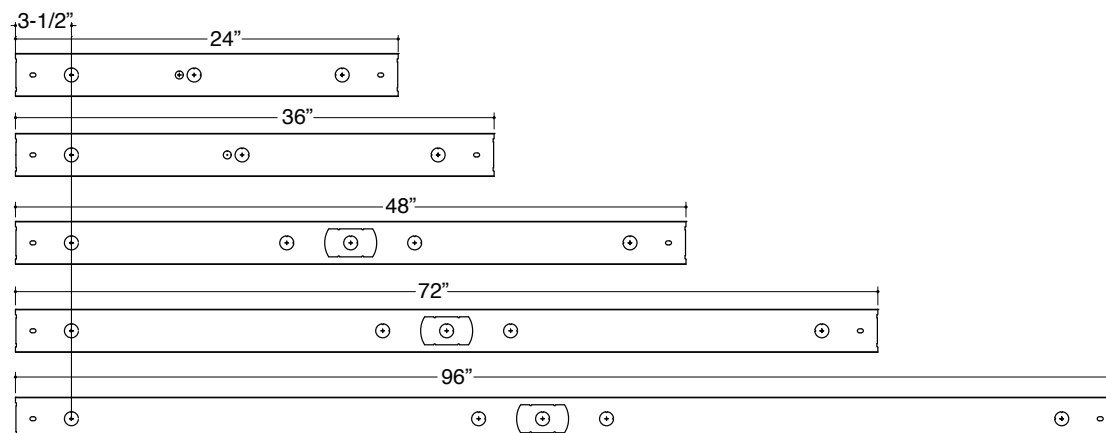
Cat.# SEN-232T8...-SYM*
Initial lamp lumens - 5800
Efficiency - 85%



*Housing is finished with a minimum of 82% reflectance white polyester polymer.

Plan view of K.O. on back of channel

Strips have 7/8" KO on both ends as well as on the back of the channel. In addition, each channel has eyelets and other holes for mounting by various means.



Specifications and dimensions are subject to change without notification.