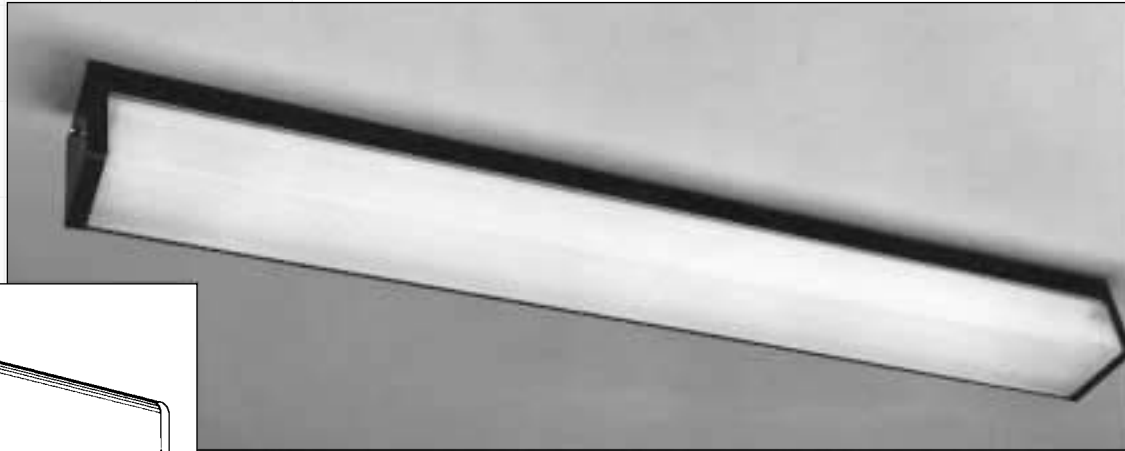
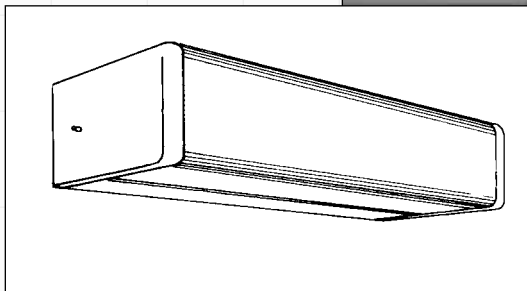


T5

T8

Down Light/Front Light
 Standard Walnut Finish
 With Optional White, Oak
 or Chrome Finish

DWT



ACCESSORIES AND ADDERS:

ELECTRICAL

277 Volt	277V
Emergency Battery Pack	EM
Standard 20% THD Electronic Ballast	EB8
Optional 10% THD Electronic Ballast	EB10
Fusing	HLR/GLR
Convenience Outlet	CO
Turn Switch	TS
Pull Switch	PS
Nite Lite	NL
Continuous Row	CR

FINISH/DIFFUSERS

Walnut (Simulated)	Standard (WAL)
White Enamel	WH
Chrome	CH
Oak (Simulated)	OAK
Acrylic Prismatic Diffuser	Standard
Smooth White Acrylic Diffuser	ASW

SPECIFICATIONS

HOUSING:

All metal parts are die-formed from heavy gauge prime cold rolled steel.

ELECTRICAL COMPONENTS:

Ballasts are Electronic and CBM-ETL certified. Fixtures are U.L. Listed

SHIELDING:

Extruded acrylic plastic.

MOUNTING:

Fixtures may be surface mounted on ceiling or wall either individually or in continuous rows. (Continuous row mounting must be specified.)

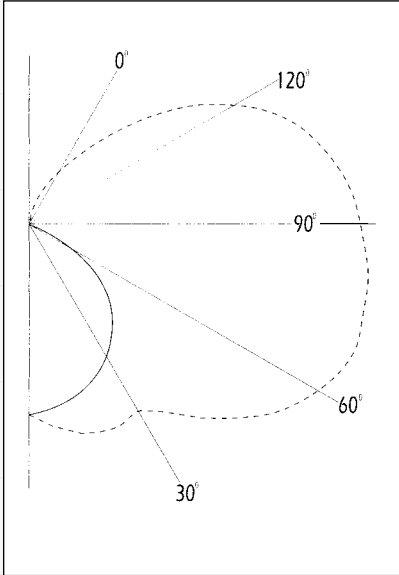


T5 T8

Down Light/Front Light
 Standard Walnut Finish
 With Optional White, Oak
 or Chrome Finish

DWT

PHOTOMETRIC DATA



Luminaire: Fabricated metal housing, white painted metal reflectors, and end panels, plastic prismatic wraparound enclosure with linear prismatic bottom portions. **Lamps:** Two F32T8 each rated 2900 lumens.
Ballasts: Electronic **Lumen to Candela Ratio Used = 9.15 Total Input Watts = 76.2** at 120-0 volts.
 The 0 Degree Plane is perpendicular to the lamps.

Coefficients of utilization -zonal cavity method Effective floor cavity reflectance 0.20

RC RW	80				70				50			30			10			0
	70	50	30	10	70	50	30	10	50	30	10	50	30	10	50	30	10	0
0	57	57	57	57	54	54	54	54	48	48	48	43	43	43	38	38	38	36
1	50	47	45	42	47	45	42	40	40	38	36	35	34	32	31	30	29	27
2	45	40	36	33	42	38	35	32	34	31	28	30	28	26	26	24	23	21
3	41	35	31	27	38	33	29	26	29	26	23	26	23	21	23	21	19	17
4	37	31	26	22	35	29	25	22	26	22	20	23	20	18	20	18	16	14
5	34	27	22	19	32	26	21	18	23	19	16	20	17	15	18	15	13	12
6	31	24	19	16	29	23	18	15	20	17	14	18	15	13	16	13	11	10
7	29	22	17	14	27	20	16	13	18	15	12	16	13	11	14	12	10	9
8	26	19	15	12	25	18	14	11	16	13	10	15	12	9	13	10	8	7
9	24	17	13	10	23	16	12	10	15	11	9	13	10	8	12	9	7	6
10	23	16	12	9	21	15	11	9	13	10	8	12	9	7	11	8	6	5

All candela, lumens, luminance, coefficient of utilization and VCP values in this report are based on relative photometry which assumes a ballast factor of 1.000. Any calculations prepared from these data should include an appropriate ballast factor

ORDERING INFORMATION:

T5 AND T5HO

Catalog No.	Lamps	Size
DWT-114T5	1-F14T5	2'
DWT-214T5	2-F14T5	2'
DWT-121T5	1-F21T5	3'
DWT-221T5	2-F21T5	3'
DWT-128T5	1-F28T5	4'
DWT-228T5	2-F28T5	4'
DWT-124T5HO	1-F24T5HO	2'
DWT-224T5HO	2-F24T5HO	2'
DWT-139T5HO	1-F39T5HO	3'
DWT-239T5HO	2-F39T5HO	3'
DWT-154T5HO	1-F54T5HO	4'
DWT-254T5HO	2-F54T5HO	4'

T8

Catalog No.	Lamps	Size
DWT-117	1-F17T8	2'
DWT-217	2-F17T8	2'
DWT-125	1-F25T8	3'
DWT-225	2-F25T8	3'
DWT-132	1-F32T8	4'
DWT-232	2-F32T8	4'

FOR 18" FIXTURES

T12 (Magnetic Ballast)

Catalog No.	Lamps	Size
DWT-115HTS	1-F15T12	18"
DWT-215HTS	2-F15T12	18"

DIMENSIONAL DATA

