



ROUND & SQUARE VANDAL RESISTANT FIXTURES

This is superior vandal resistant fixture formed of injection molded polycarbonate. The lens contains an integral gasket preventing the penetration of dust, moisture, and insects into the fixture housing. The lens fastens to the housing with screw down points for a positive fastening feature.

ORDERING INFORMATION:

SQUARE VANDAL RESISTANT FIXTURES

Catalog No.	Lamps	Ballast	Size
60-1PL7	(1) PL7	NPF	10 3/16" X 3 1/4"
60-1PL9	(1) PL9	NPF	10 3/16" X 3 1/4"
60-1PL13	(1) PL13	NPF	10 3/16" X 3 1/4"
60-1PL18-ELB	(1) PL18	ELB	10 3/16" X 3 1/4"
60-1PL26-ELB	(1) PL26	ELB	10 3/16" X 3 1/4"
60-2PL7	(2) PL7	NPF	10 3/16" X 3 1/4"
60-2PL9	(2) PL9	NPF	10 3/16" X 3 1/4"
60-2PL13	(2) PL13	NPF	10 3/16" X 3 1/4"
60-2PL18-ELB	(2) PL18	ELB	10 3/16" X 3 1/4"
60-2PL26-ELB	(2) PL26	ELB	10 3/16" X 3 1/4"

SPECIFICATIONS

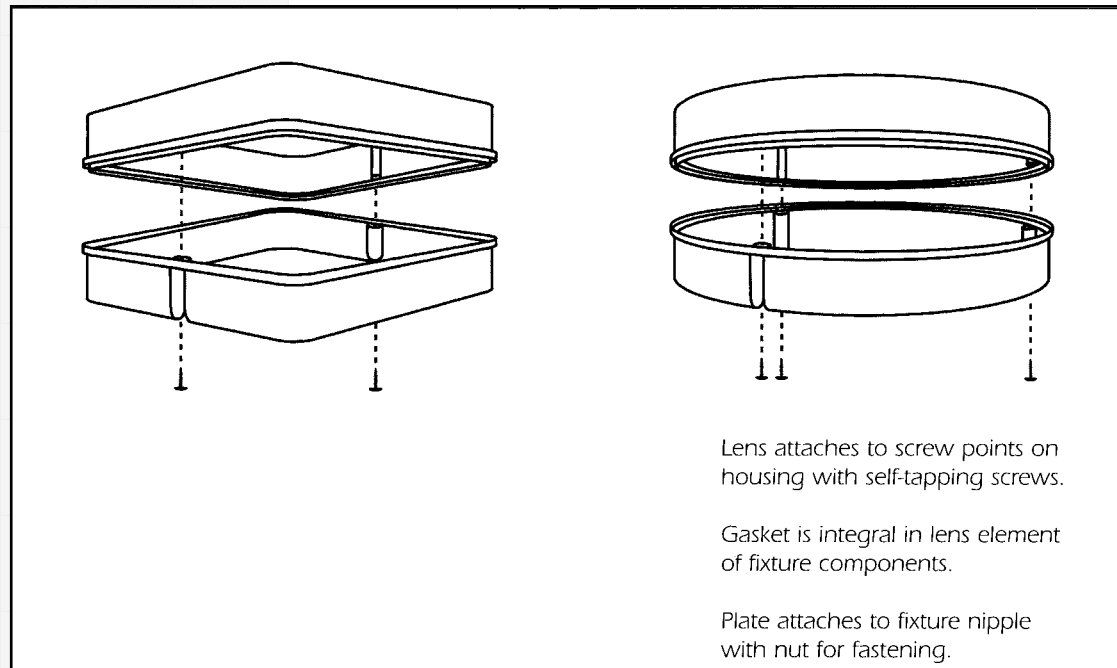
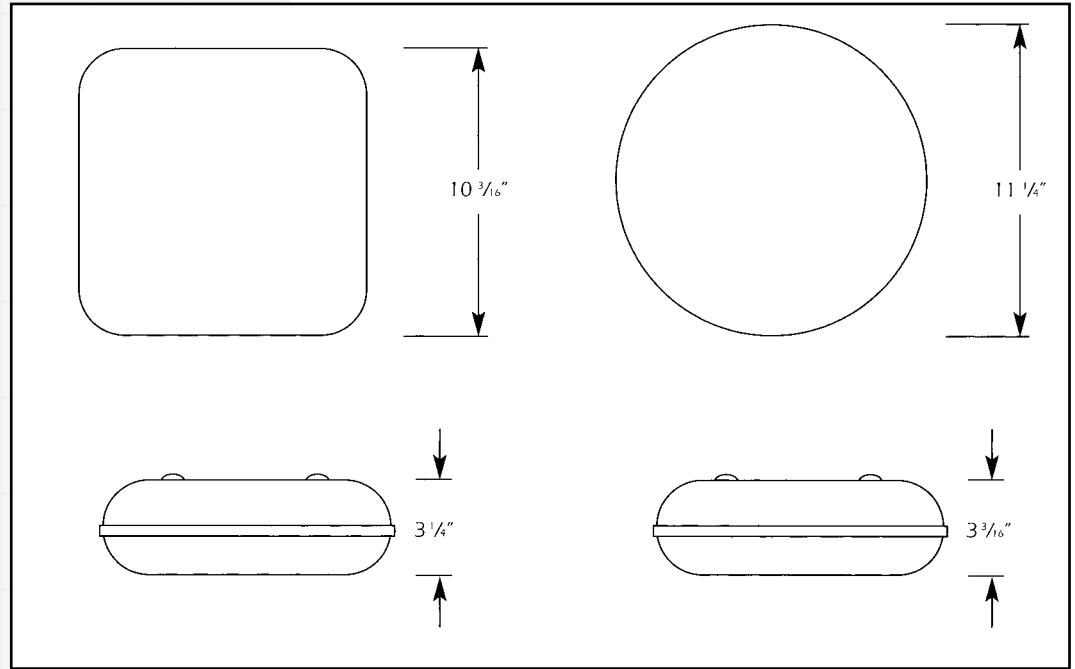
- DIFFUSER:** 1 piece white injection molded polycarbonate, clear prismatic is optional
- HOUSING:** 1 piece black injection molded polycarbonate, white optional
- MOUNTING:** Surface i.e., ceiling and wall

ROUND VANDAL RESISTANT FIXTURES

Catalog No.	Lamps	Ballast	Size
70-1PL7	(1) PL7	NPF	11 1/4" X 3 3/16"
70-1PL9	(1) PL9	NPF	11 1/4" X 3 3/16"
70-1PL13	(1) PL13	NPF	11 1/4" X 3 3/16"
70-1PL18-ELB	(1) PL18	ELB	11 1/4" X 3 3/16"
70-1PL26-ELB	(1) PL26	ELB	11 1/4" X 3 3/16"
70-2PL7	(2) PL7	NPF	11 1/4" X 3 3/16"
70-2PL9	(2) PL9	NPF	11 1/4" X 3 3/16"
70-2PL13	(2) PL13	NPF	11 1/4" X 3 3/16"
70-2PL18-ELB	(2) PL18	ELB	11 1/4" X 3 3/16"
70-2PL26-ELB	(2) PL26	ELB	11 1/4" X 3 3/16"



DIMENSIONAL DATA



ACCESSORIES AND ADDERS:

Wet Location	WL
White Housing	WH
Black Housing	Standard
Lens - White	Standard
Lens - Clear Prismatic	PRIS
277 Volt	277

ELECTRICAL

All electrical components are U.L. approved.
Ballast are Class "P", CBM-ETL certified.

