

## ADA Compliant

### SPECIFICATIONS

**HOUSING:** Housing is die formed from 20 gauge cold rolled steel with 18 gauge welded ends for maximum strength.  
**SHIELDING:** .125 smooth opal virgin acrylic. Optional diffusers can be provided.  
**ELECTRICAL:** Ballasts are Electronic, CBM-ETL certified  
 Fixtures are UL Listed

**FINISH:** White Polyester Powdercoat  
**MOUNTING:** Ceiling or Wall, Individual or Continuous Row.

### ORDERING INFORMATION:

#### T5 AND T5HO

Catalog No.	Lamps	Size
17-114T5	1-F14T5	2'
17-214T5	2-F14T5	2'
17-121T5	1-F21T5	3'
17-221T5	2-F21T5	3'
17-128T5	1-F28T5	4'
17-228T5	2-F28T5	4'
17-121-6T5	2-F21T5	6'
17-221-6T5	4-F21T5	6'
17-128-8T5	2-F28T5	8'
17-228-8T5	4-F28T5	8'
17-124T5HO	1-F24T5HO	2'
17-224T5HO	2-F24T5HO	2'
17-139T5HO	1-F39T5HO	3'
17-239T5HO	2-F39T5HO	3'
17-154T5HO	1-F54T5HO	4'
17-254T5HO	2-F54T5HO	4'
17-139-6T5HO	2-F39T5HO	6'
17-239-6T5HO	4-F39T5HO	6'
17-154-8T5HO	2-F54T5HO	8'
17-254-8T5HO	4-F54T5HO	8'

#### T8

Catalog No.	Lamps	Size
17-117	1-F17T8	2'
17-217	2-F17T8	2'
17-125	1-F25T8	3'
17-225	2-F25T8	3'
17-132	1-F32T8	4'
17-232	2-F32T8	4'
17-125-6	2-F25T8	6'
17-225-6	4-F25T8	6'
17-132-8	2-F32T8	8'
17-232-8	4-F32T8	8'

### ACCESSORIES AND ADDERS:

#### ELECTRICAL

277 Volt 277V  
 Emergency Battery Pack EM  
 Standard 20% THD Electronic Ballast EB8  
 Optional 10% THD Electronic Ballast EB10  
 Damp Location DL  
 Radio Frequency Suppressor RFI

#### FINISH/DIFFUSERS

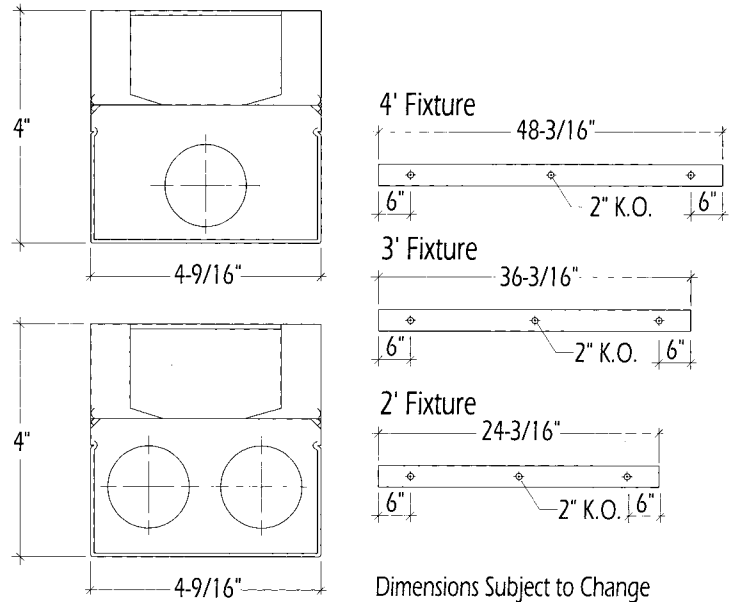
Aluminum Housing ALUM  
 Stainless Steel Housing SS  
 Clear Acrylic Prismatic Diffuser CPA  
 Smooth Opal Acrylic Diffuser Standard



T5 T8



### DIMENSIONAL DATA



### PHOTOMETRIC DATA

### ITL35263.IES

Coefficients of utilization -zonal cavity method  
 Effective floorcavity reflectance 0.20

RC	80				70				50			30			10			0	
	RW	70	50	30	10	70	50	30	10	50	30	10	50	30	10	50	30	10	0
0		60	60	60	60	56	56	56	56	47	47	47	39	39	39	32	32	32	29
1		54	51	48	46	49	47	44	42	39	38	36	33	31	30	26	25	25	22
2		48	43	39	36	44	40	37	34	34	31	29	28	26	24	22	21	20	17
3		44	38	33	30	40	35	31	28	29	26	24	24	22	20	19	18	16	14
4		40	33	28	25	36	31	26	23	26	22	20	21	19	17	17	15	14	11
5		36	29	24	20	33	27	22	19	23	19	16	19	16	14	15	13	11	9
6		33	26	21	17	30	24	19	16	20	17	14	17	14	12	13	11	10	8
7		31	23	18	15	28	21	17	14	18	15	12	15	12	10	12	10	8	7
8		28	21	16	13	26	19	15	12	16	13	10	13	11	9	11	9	7	6
9		26	19	14	11	24	17	13	10	15	11	9	12	9	7	10	8	6	5
10		24	17	13	10	22	16	12	9	13	10	8	11	8	6	9	7	5	4

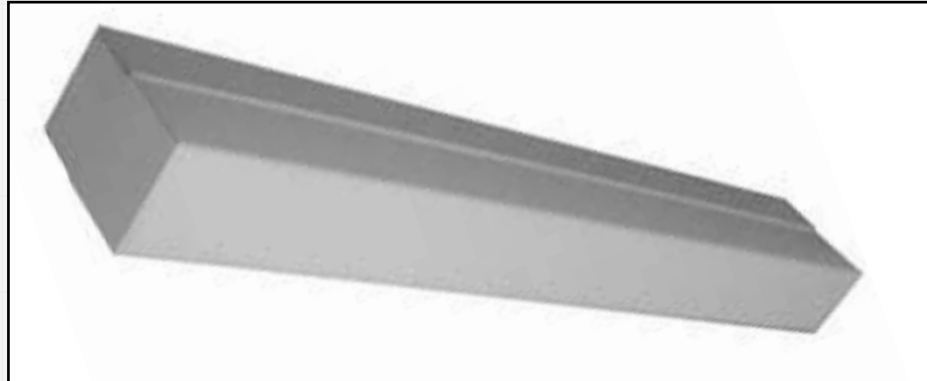
### ADA Compliant

### T5

#### SPECIFICATIONS

**HOUSING:** Housing is die formed from 20 gauge cold rolled steel with 18 gauge welded ends for maximum strength.  
**SHIELDING:** .125 smooth opal virgin acrylic. Optional diffusers can be provided.  
**ELECTRICAL:** Ballasts are Electronic, CBM-ETL certified  
 Fixtures are UL Listed

**FINISH:** White Polyester Powdercoat  
**MOUNTING:** Ceiling or Wall, Individual or Continuous Row.



#### ORDERING INFORMATION:

##### T5 AND T5HO

Catalog No.	Lamps	Size
17N-114T5	1-F14T5	2'
17N-214T5	2-F14T5	2'
17N-121T5	1-F21T5	3'
17N-221T5	2-F21T5	3'
17N-128T5	1-F28T5	4'
17N-228T5	2-F28T5	4'

#### ACCESSORIES AND ADDERS:

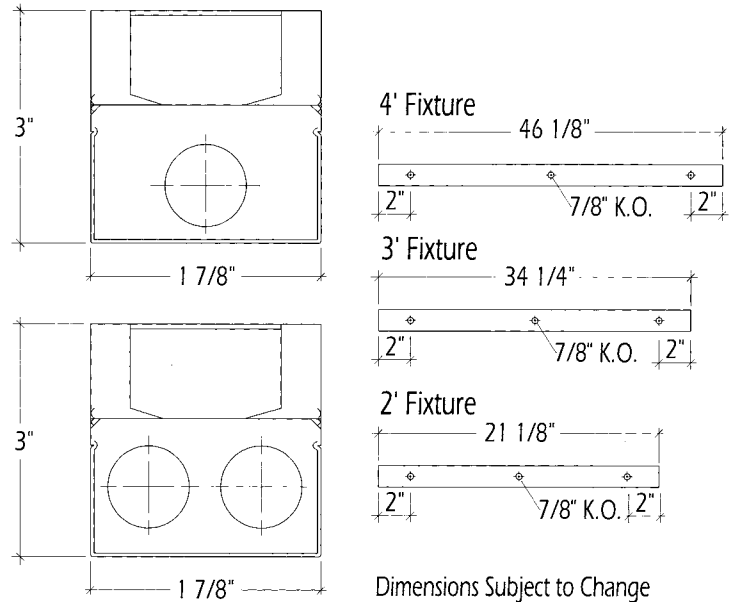
##### ELECTRICAL

277 Volt	277V
Emergency Battery Pack	EM
Standard 20% THD Electronic Ballast	EB8
Optional 10% THD Electronic Ballast	EB10
Damp Location	DL
Radio Frequency Suppressor	RFI

##### FINISH/DIFFUSERS

Aluminum Housing	ALUM
Stainless Steel Housing	SS
Smooth Opal Acrylic Diffuser	Standard

#### DIMENSIONAL DATA



Dimensions Subject to Change

