

T5



SPECIFICATIONS

METAL COMPONENTS:

Die formed of heavy cold rolled prime steel. Hinged one piece cover for easy access to all electrical components.

FINISH:

Durable baked white enamel, painted after fabrication.

SHIELDING:

Ribbed White Acrylic Diffuser.

ELECTRICAL:

Ballast are Electronic and CBM-ETL certified. Fixtures are U.L. Listed.

ORDERING INFORMATION:

T5

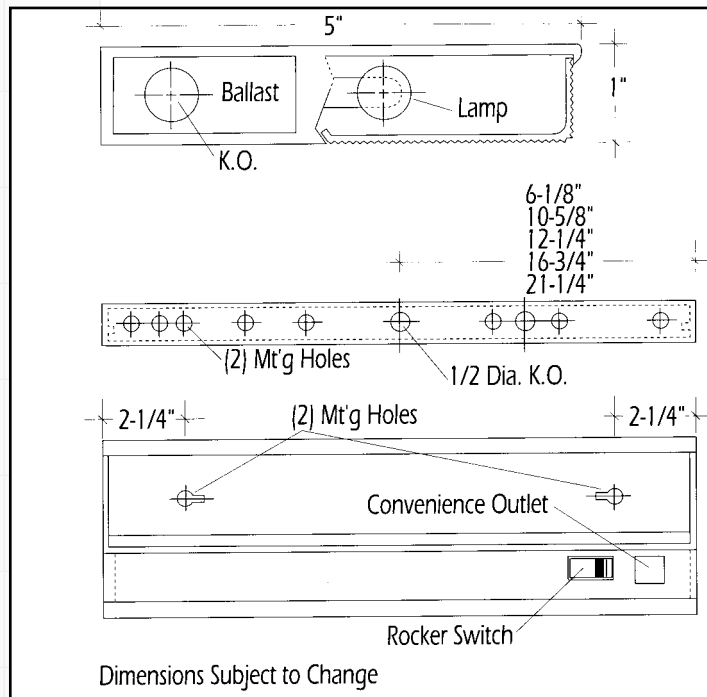
Catalog No.	Lamps	Size (L)
LKD-12	1-F8T5	12 1/4"
LKD-21	1-F13T5	21 1/4"
LKD-24	2-F8T5	24 1/2"
LKD-33	1-F8T5	33 1/2"
LKD-42	& 1-F13T5	42 1/2"
	2-F13T5	

ACCESSORIES AND ADDERS:

ELECTRICAL

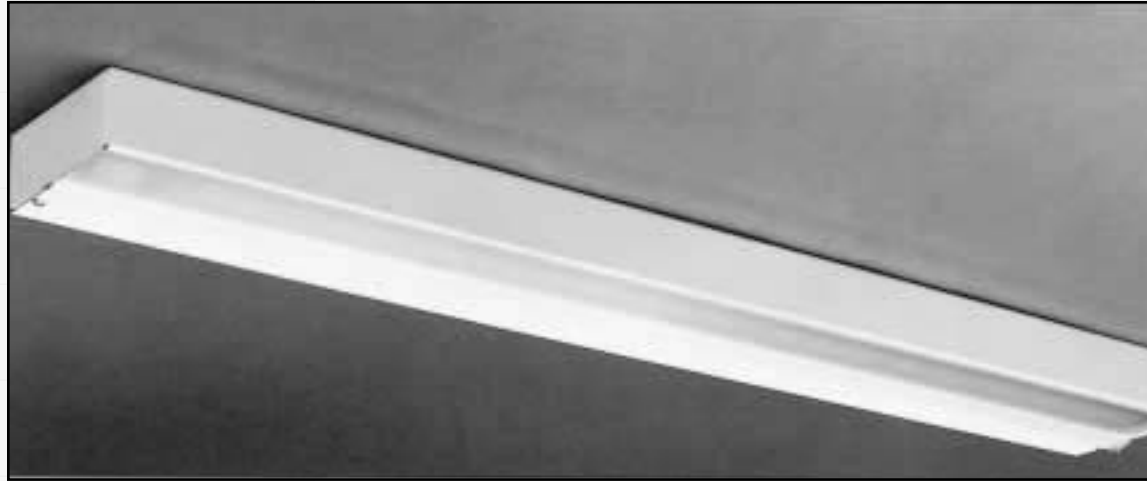
277 Volt	277V
Damp Location (120V only)	DL
Rocker Switch	R
Cord and Plug (specify length) (3-wire) & (120V only)	CP3
Convenience Outlet (Grounded 120V Only)	CO
Opaque Front (Task Lens)	OF

DIMENSIONAL DATA



T5

**Electronic Ballast
Down Light Only**



SPECIFICATIONS

METAL COMPONENTS: Die formed of heavy cold rolled prime steel.
FINISH: All metal parts are finished with a durable baked white enamel, Painted after fabrication.
SHIELDING: Acrylic clear ribbed diffuser which snaps on and off with ease.
ELECTRICAL: Ballast are Electronic and CBM-ETL certified. Fixtures are U.L. Listed.
MOUNTING: Surface, individually or continuous rows.

DIMENSIONAL DATA

ORDERING INFORMATION:

T5 Catalog No.	Lamps	Size (L)
LKD 118-12	1-F8T5	12 5/16"
LKD 118-21	1-F13T5	21 7/16"
LKD 118-24	2-F8T5	24 3/8"
LKD 118-33	1-F8T5 & 1-F13T5	33 7/16"
LKD 118-42	2-F13T5	42 3/8"

ACCESSORIES AND ADDERS:

ELECTRICAL	
277 Volt	277V
Damp Location (120V only)	DL
Rocker Switch	R
Cord and Plug (specify length) (3-wire) & (120V only)	CP3
Convenience Outlet (Grounded 120V Only)	CO

