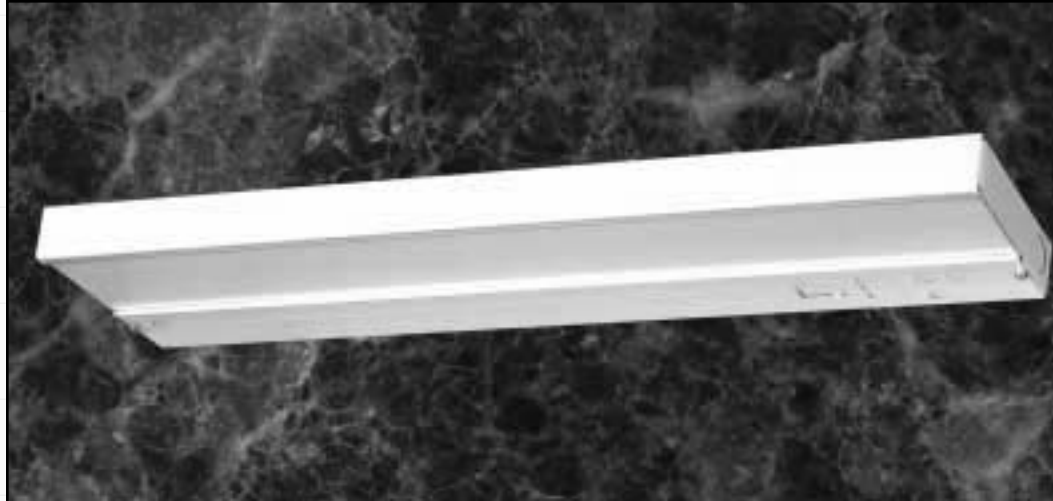


T5 T8 T2

DESCRIPTION

The TASK LINE is an attractive modern designed fixture used as a task light for limited space areas. Use in work centers, under cabinets, display trophy cases, and study light. The ideal supplemental lighting fixture.

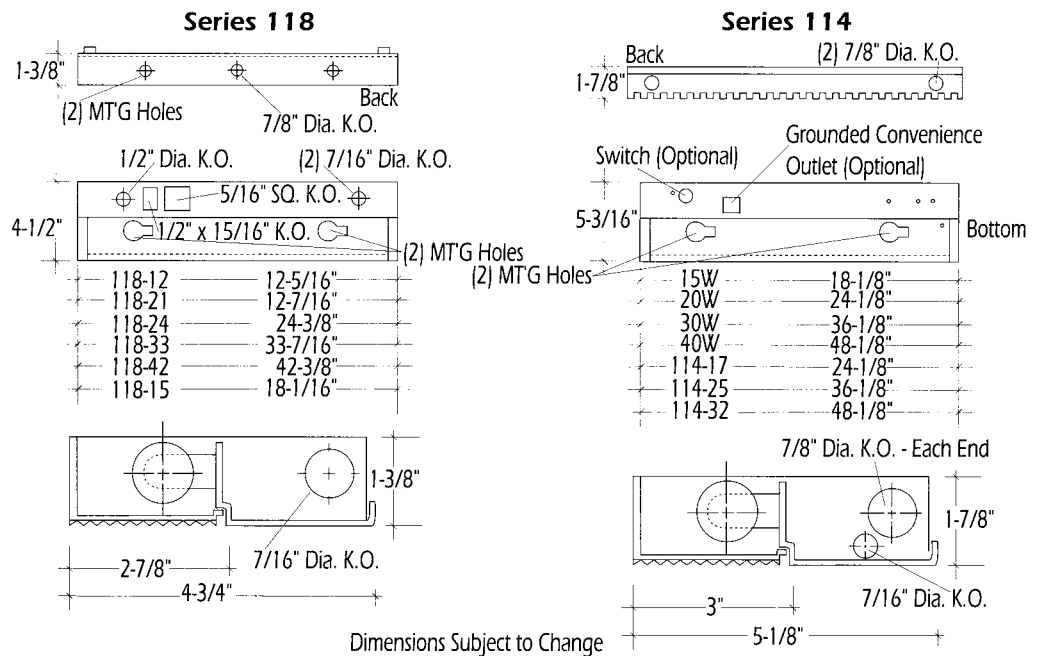


SPECIFICATIONS

METAL COMPONENTS: Die formed of heavy cold rolled prime steel.
FINISH: All metal parts are finished with a durable baked white enamel.
SHIELDING: Acrylic clear ribbed diffuser which snaps on and off with ease
ELECTRICAL: Ballasts for 114 Series are Electronic and Magnetic for 118 Series all are CBM-ETL certified.
 Fixtures are U.L. approved.

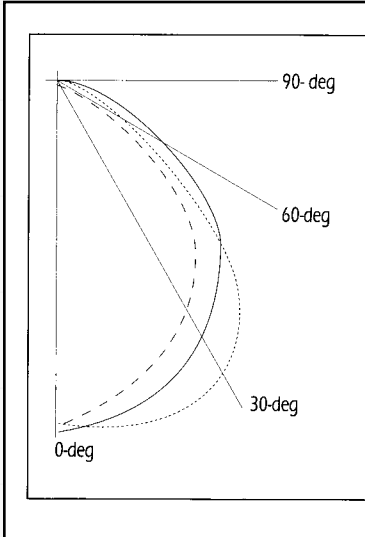
MOUNTING: Surface, individually or continuous rows.

DIMENSIONAL DATA



114-40HRS

ITL #37103



Coefficients of utilization -zonal cavity method
 Effective floor cavity reflectance 0.20

RC RW	80				70				50			30			10			0
	70	50	30	10	70	50	30	10	50	30	10	50	30	10	50	30	10	0
0	57	57	57	57	56	56	56	56	53	53	53	51	51	51	49	49	49	48
1	53	51	49	47	51	50	48	46	48	46	45	46	45	44	44	43	42	41
2	49	45	42	40	47	44	42	39	43	40	38	41	39	38	40	38	37	36
3	45	40	37	34	44	40	36	34	38	35	33	37	35	33	36	34	32	31
4	41	36	32	29	40	35	32	29	34	31	29	33	31	28	32	30	28	27
5	38	32	28	25	37	32	28	25	31	27	25	30	27	25	29	26	24	23
6	35	29	25	22	34	29	25	22	28	24	22	27	24	22	26	24	21	20
7	32	26	22	19	31	26	22	19	25	22	19	24	21	19	24	21	19	18
8	30	23	19	17	29	23	19	17	22	19	17	22	19	16	21	18	16	15
9	27	21	17	14	27	21	17	14	20	17	14	20	17	14	19	16	14	13
10	25	19	15	13	25	19	15	13	18	15	13	18	15	13	17	15	13	12

All candela, lumens, luminance, coefficient of utilization and VCP values in this report are based on relative photometry which assumes a ballast factor of 1.000. Any calculations prepared from these data should include an appropriate ballast factor.

ORDERING INFORMATION

SERIES 114

T5 AND T5HO

Catalog No.	Lamps	Size
114-8L	1-F8T5	12"
114-114T5	1-F14T5	2'
114-121T5	1-F21T5	3'
114-128T5	1-F28T5	4'
114-124T5HO	1-F24T5HO	2'
114-139T5HO	1-F39T5HO	3'
114-154T5HO	1-F54T5HO	4'

T8

Catalog No.	Lamps	Size
114-15L	1-F15T8	18"
114-117	1-F17T8	2'
114-125	1-F25T8	3'
114-132	1-F32T8	4'

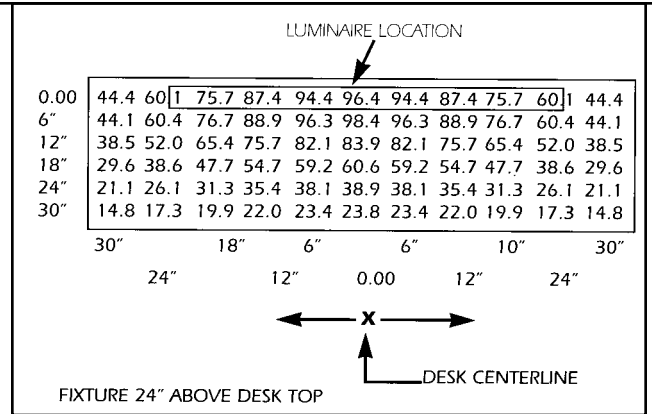
T12

Catalog No.	Lamps	Size
114-15LTS	1-F15T12	18"
114-20LTS	1-F20T12	2'
114-20HTS	1-F20T12	2'
114-30L	1-F30T8	3'
114-30LRS	1-F30T12	3'
114-30HRS	1-F30T12	3'
114-40LRS	1-F40T12	4'
114-40HRS	1-F40T12	4'

SERIES 118

T5

Catalog No.	Lamps	Size (L)
118-12	1-F8T5	12 15/16"
118-21	1-F13T5	21 7/16"
118-24	2-F8T5	24 3/8"
118-33	1-F13T5	33 7/16"
118-42	& 1-F13T5 2-F13T5	42 3/8"



ACCESSORIES AND ADDERS:

ELECTRICAL

277 Volt	277V
Standard 20% THD Electronic Ballast	EB8
Optional 10% THD Electronic Ballast	EB10
Convenience Outlet	CO
Rocker Switch	RS
Turn Switch	TS
Cord & Plug (3-wire Specify Length)	CP3

FINISH

White Finish	Standard
Walnut Simulated	WAL
Oak Simulated	OAK

