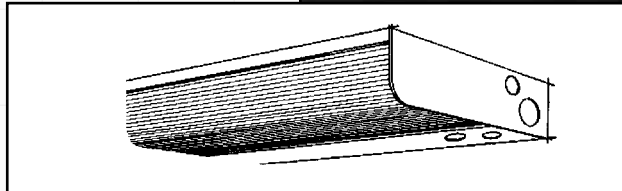
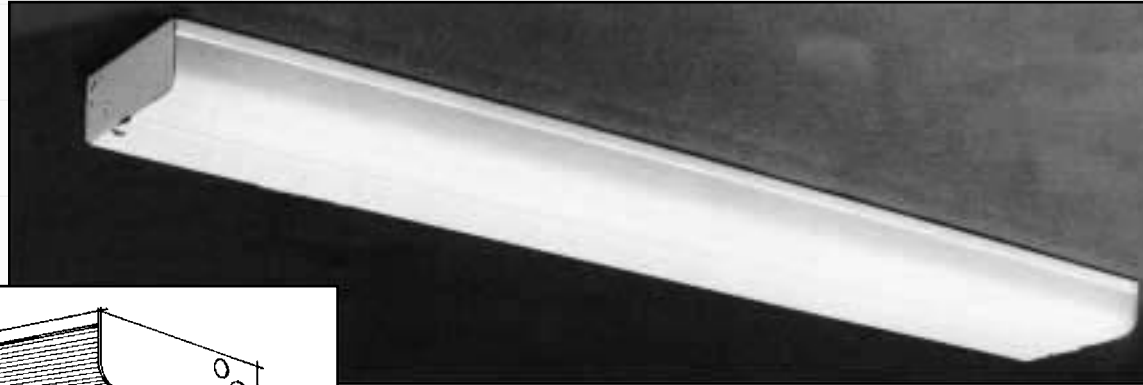


T5 T8 T12

**Standard White Enamel
Under Cabinet Lighting**

The THIN LINE is an attractive modern designed fixture used as supplemental light for limited space areas. Use in work centers, under cabinets, display and trophy cases, study light. The ideal supplemental lighting fixture.



SPECIFICATIONS

METAL COMPONENTS:

Die formed of heavy cold rolled prime steel.

FINISH:

All metal parts are finished with a durable baked enamel.

SHIELDING:

Acrylic white diffuser which snap on and off with ease.

ELECTRICAL:

Ballast are 110-125 volt, 60 cycle, Class "P", U.L. approved.

MOUNTING:

Surface, individually or continuous rows.

ACCESSORIES AND ADDERS:

ELECTRICAL

277 Volt
 Standard 20% THD Electronic Ballast
 Optional 10% THD Electronic Ballast
 Convenience Outlet
 Rocker Switch
 Turn Switch
 Cord & Plug (3-wire Specify Length)

277V
 EB8
 EB10
 CO
 RS
 TS
 CP3

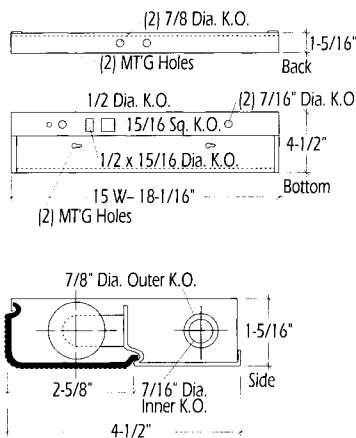
108/112 SERIES FINISH

White Finish
 Walnut Simulated
 Oak Simulated
 Chrome Polished

Standard
 WAL
 OAK
 CH

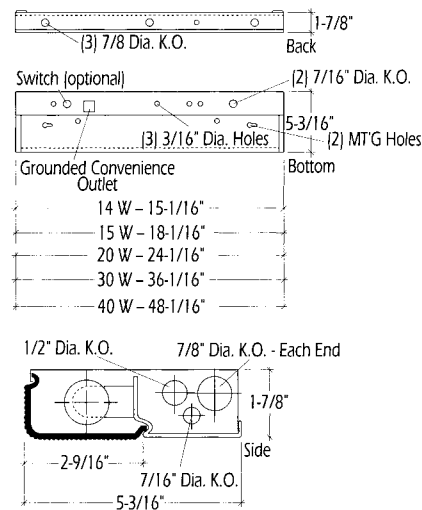
212 Series Available Only In White

Series 108

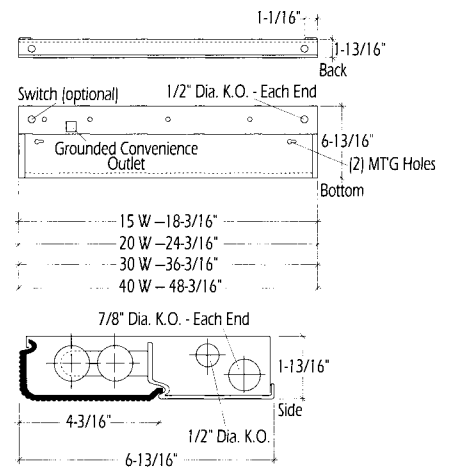


DIMENSIONAL DATA

Series 112



Series 212

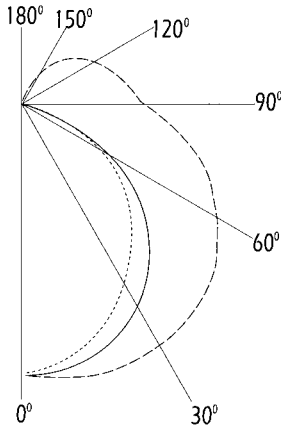


Dimensions Subject to Change

For 105 Series Dimensional Data consult factory



**Standard White Enamel
 Under Cabinet Lighting
 T8-T12 Lamps**



Coefficients of utilization -zonal cavity method
 Effective floor cavity reflectance 0.20

RC RW	80				70				50			30			10			0
	70	50	30	10	70	50	30	10	50	30	10	50	30	10	50	30	10	0
0	59	59	59	59	57	57	57	57	53	53	53	49	49	49	46	46	46	44
1	54	51	49	46	51	49	47	45	46	44	42	42	41	40	39	38	37	36
2	48	44	40	37	46	43	39	36	40	37	35	37	35	33	34	33	31	29
3	44	39	34	31	42	37	34	30	35	32	29	33	30	28	30	28	26	25
4	40	34	30	26	39	33	29	26	31	27	25	29	26	23	27	24	22	21
5	37	30	25	22	35	29	25	22	27	23	21	25	22	20	24	21	19	18
6	34	27	22	19	32	26	22	18	24	21	18	23	20	17	21	19	16	15
7	31	24	19	16	30	23	19	16	22	18	15	21	17	15	19	16	14	13
8	29	22	17	14	27	21	17	14	20	16	13	18	15	13	17	14	12	11
9	26	19	15	12	25	19	15	12	18	14	11	17	13	11	16	13	11	10
10	25	18	13	11	23	17	13	10	16	13	10	15	12	10	14	11	9	8

All candela, lumens, luminance, coefficient of utilization and VCP values in this report are based on relative photometry which assumes a ballast factor of 1.000. Any calculations prepared from these data should include an appropriate ballast factor.

DISTANCE FROM BACK PANEL

1°	27.5	31.2	35.0	38.3	41.1	43.1	44.2	44.6	44.2	43.1	41.1	38.3	35.0	31.2	27.5
5°	31.8	36.8	41.9	46.4	50.1	52.7	54.1	54.7	54.1	52.7	50.1	46.4	41.4	36.8	31.8
9°	35.4	41.7	48.1	53.7	58.3	61.3	63.1	63.7	63.1	61.3	58.3	53.7	48.1	41.7	35.4
13°	37.4	44.4	51.4	57.7	62.8	66.1	68.1	68.8	68.1	66.1	62.8	57.7	51.4	44.4	37.4
17°	37.4	44.3	51.3	57.5	62.6	65.9	67.9	68.6	67.9	65.9	62.6	57.5	51.3	44.3	37.4
21°	35.7	41.7	48.0	53.7	58.3	61.5	63.3	64.0	63.3	61.5	58.3	53.7	48.0	41.7	35.7
25°	32.4	37.1	42.4	47.2	51.2	54.0	55.7	56.3	55.7	54.0	51.2	47.2	42.4	37.1	32.4
29°	27.2	31.0	35.4	39.3	42.6	44.9	46.2	44.7	46.2	44.9	42.6	39.3	35.4	31.0	27.2
	28°	24°	20°	16°	12°	8°	4°	0°	4°	8°	12°	16°	20°	24°	28°
	DISTANCE FROM CENTERLINE OF THE DESK														

ORDERING INFORMATION:

**T5HO (ONE LAMP)
 ELECTRONIC BALLAST**

Catalog No.	Lamps	Size
112-124T5HO	1-F24T5HO	2'
112-139T5HO	1-F39T5HO	3'
112-154T5HO	1-F54T5HO	4'

**T5 (TWO LAMP)
 ELECTRONIC BALLAST**

Catalog No.	Lamps	Size
212-214T5	2-F14T5	2'
212-221T5	2-F21T5	3'
212-228T5	2-F28T5	4'

**T8 (ONE LAMP)
 ELECTRONIC BALLAST**

Catalog No.	Lamps	Size
112-117	1-F17T8	2'
112-125	1-F25T8	3'
112-132	1-F32T8	4'

**T8 (TWO LAMP)
 ELECTRONIC BALLAST**

Catalog No.	Lamps	Size
212-217	2-F17T8	2'
212-225	2-F25T8	3'
212-323	2-F32T8	4'

**T12 (ONE LAMP)
 MAGNETIC BALLAST**

Catalog No.	Lamps	Size
105-8L	1-F8T5	12"
108-15L	1-F15T8	18"
112-15ITS	1-F15T12	18"
112-20L	1-F20T12	2'
112-20ITS	1-F20T12	2'
112-20HTS	1-F20T12	2'
112-30L	1-F30T12	3'
112-30LRS	1-F30T12	3'
112-30HRS	1-F30T12	3'
112-40LRS	1-F40T12	4'
112-40HRS	1-F40T12	4'

