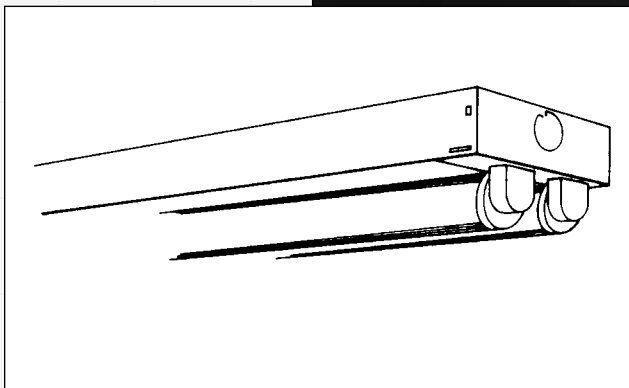


T8 T12 HO VHO

ALUMINUM



SPECIFICATIONS

ALUMINUM CONSTRUCTION:

Housing is die-formed of heavy gauge aluminum for uniformity and stability. Wiring components are mounted to a one-piece back housing permitting removal of ballast cover for maintenance without disturbing inner wiring. Ballast covers may be installed or removed without the use of tools.

End plate is used as a coupler in continuous rows sliding into position without the use of tools or hardware.

FINISH:

All aluminum parts are cleaned and treated with a five-stage phosphate coating then electrostatically sprayed with a high quality white enamel and baked at 375° to provide a minimum reflectance factor of 87%.

WIRING:

All units are wired and ready for installation. U.L. approved.

MOUNTING:

Units may be surface or pendant mounted, individually or in continuous rows.

ACCESSORIES AND ADDERS

227 Volt	227V
Standard 20% THD Electronic Ballast	EB8*
Optional 10% THD Electronic Ballast	EB10*
Emergency Power Pack	EM
-20 Degree Starting (HO & VHO)	-20
Wire Guard	WG
Damp Location	DL
Zero Degree Starting (HPF Trigger and Rapid Start)	LT0°

*T8 Only



ORDERING INFORMATION:

Catalog No. Lamps Ballast Size

T8 ELECTRONIC BALLAST

AL-117EB8	1-F17T8	ELB	2'
AL-217EB8	2-F17T8	ELB	2'
AL-125EB8	1-F25T8	ELB	3'
AL-225EB8	2-F25T8	ELB	3'
AL-125-6EB8	2-F25T8	ELB	6'
AL-225-6EB8	4-F25T8	ELB	6'
AL-132EB8	1-F32T8	ELB	4'
AL-232EB8	2-F32T8	ELB	4'
AL-132-8EB8	2-F23T8	ELB	8'
AL-232-8EB8	4-F23T8	ELB	8'

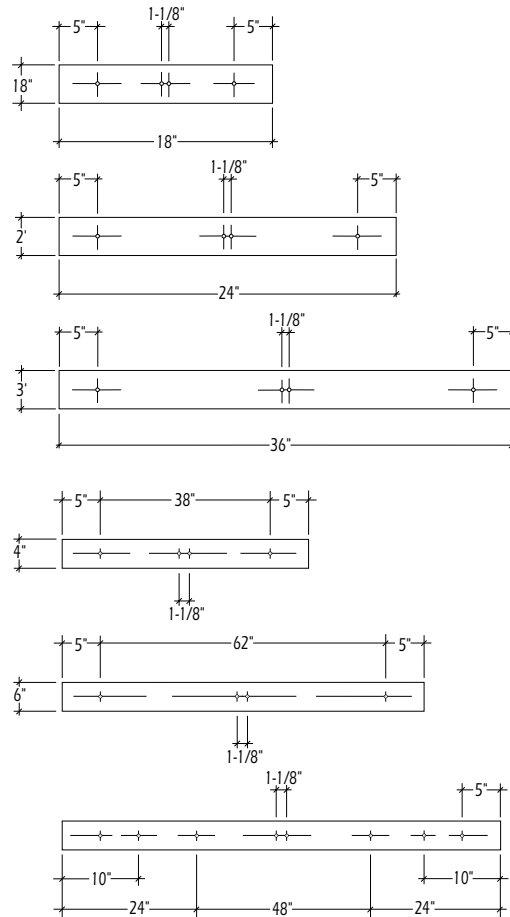
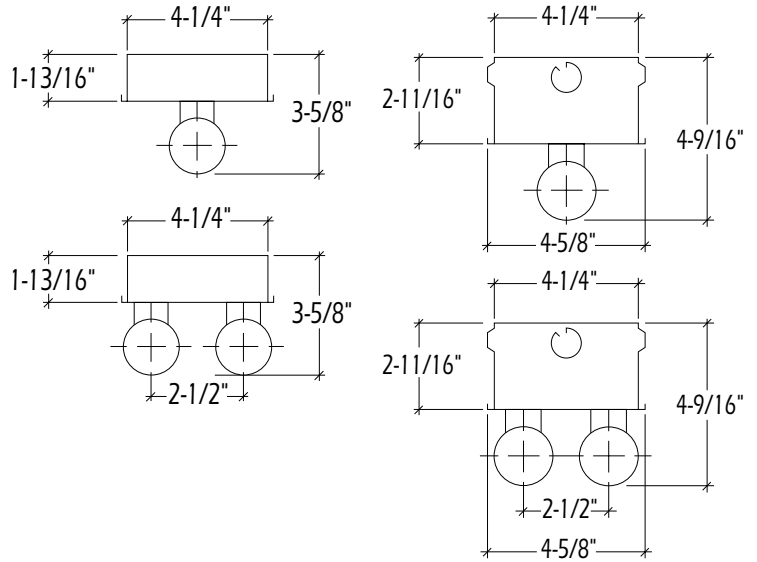
HIGH OUTPUT

AL-148-HO	1-F48HO	800MA	4'
AL-248-HO	2-F48HO	800MA	4'
AL-172-HO	1-F72HO	800MA	6'
AL-272-HO	2-F72HO	800MA	6'
AL-196-HO	1-F96HO	800MA	8'
AL-296-HO	2-F96HO	800MA	8'
AL-196T8-HO	1-F96T8HO	ELB	8'
AL-296T8-HO	2-F96T8HO	ELB	8'
AL-172-12-HO	2-F72HO	800MA	12'
AL-196-16-HO	2-F96HO	800MA	16'

VERY HIGH OUTPUT

AL-148-VHO	1-F48VHO	1500MA	4'
AL-248-VHO	2-F48VHO	1500MA	4'
AL-172-VHO	1-F72VHO	1500MA	6'
AL-272-VHO	2-F72VHO	1500MA	6'
AL-196-VHO	1-F96VHO	1500MA	8'
AL-296VHO	2-F96VHO	1500MA	8'
AL-172-12-VHO	2-F72VHO	1500MA	12'
AL-196-16-VHO	2-F96VHO	1500MA	16'

DIMENSIONAL DATA



Dimensions Subject to Change

