

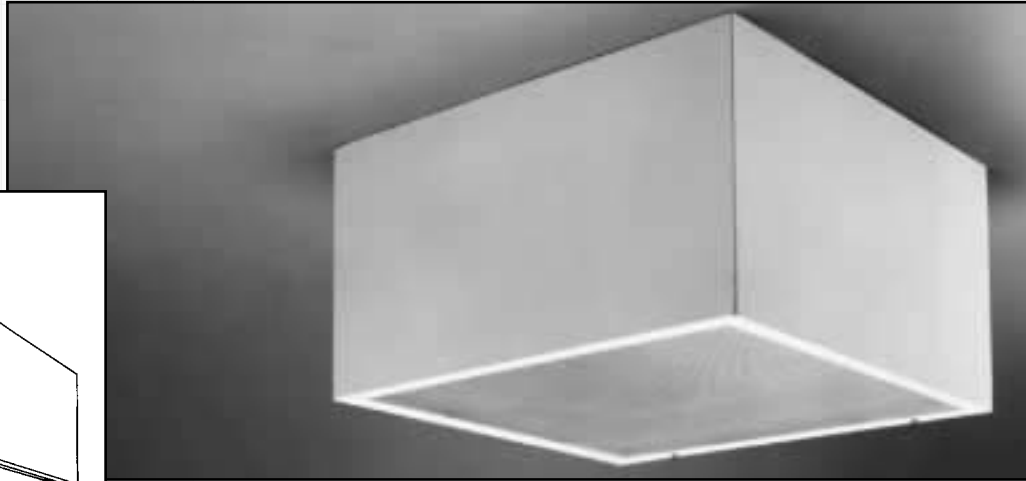
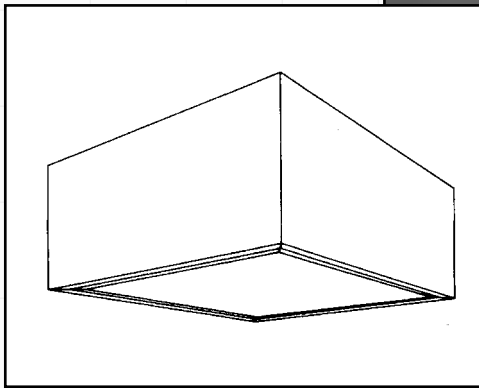
METAL HALIDE * HIGH PRESSURE SODIUM

HOUSING

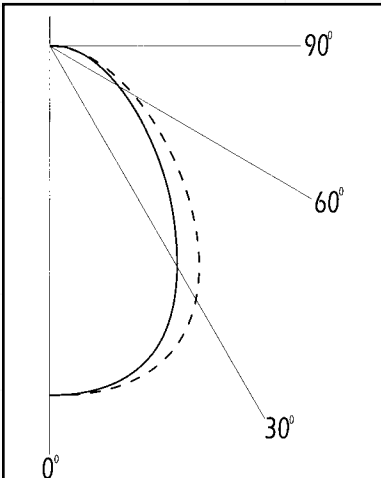
Heavy Duty die formed housing is electrically welded and available in (standard) 20 gauge cold rolled steel or (optional) aluminum.

DESCRIPTION

This fixture has been designed for commercial and institutional applications. Features high strength Corning #73 tempered low brightness prismatic lens.



**PHOTOMETRIC DATA ITL34777.IES
 S22 400 WMH**

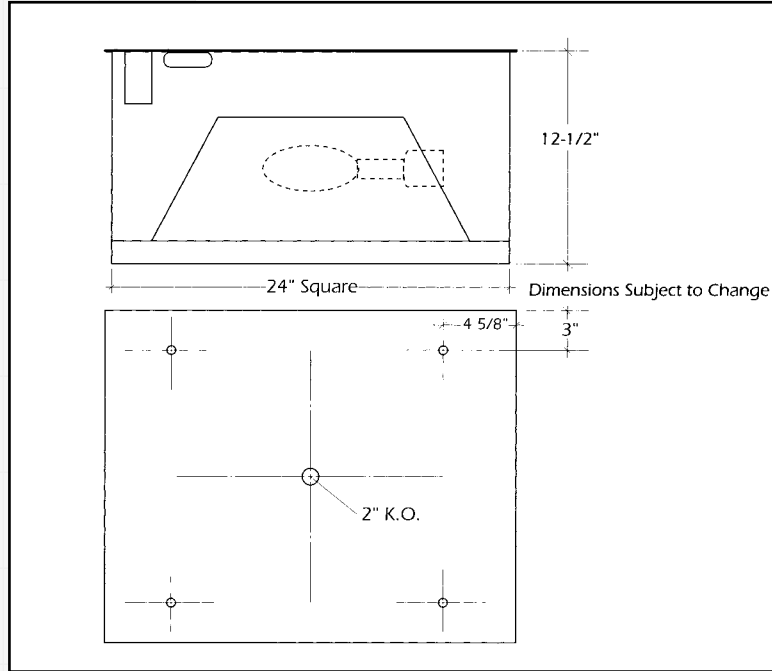


One Lamp – Coefficients of Utilization

RC	80				70				50			30			10			0
	70	50	30	10	70	50	30	10	50	30	10	50	30	10	50	30	10	
0	73	73	73	73	72	72	72	72	68	68	68	65	65	65	63	63	63	62
1	69	66	64	63	67	65	63	62	62	61	60	60	59	58	58	57	56	55
2	64	60	57	54	63	59	56	54	57	55	53	55	53	52	53	52	50	49
3	60	55	51	48	59	54	50	48	52	49	47	51	48	46	49	47	45	44
4	56	50	46	43	55	50	46	43	48	45	42	47	44	41	46	43	41	40
5	52	46	41	38	51	45	41	38	44	40	38	43	40	37	42	39	37	36
6	49	42	38	34	48	42	37	34	41	37	34	40	36	34	39	36	33	32
7	45	38	34	31	44	38	34	30	37	33	30	36	33	30	35	32	30	29
8	42	35	31	28	42	35	30	27	64	60	27	33	30	27	33	29	27	26
9	40	32	28	25	39	32	28	25	31	27	25	31	27	24	30	27	24	23
10	37	30	25	22	36	29	25	22	29	25	22	28	25	22	28	24	22	21



DIMENSIONAL DATA



Example: S22 175W MH WG BRZ 277V

MH - Metal Halide
 HPS - High Pressure Sodium

FINISH
 WH - Baked White Enamel (standard)
 BRZ - Bronze Painted
 BLK - Black Painted

S22 - - - **W** - - - - - **V**

TYPE OF LAMPS

- 175 MV
- 250 MV
- 400 MV
- 70 HPS
- 100 HPS
- 150 HPS
- 250 HPS

OPTIONS

- DA - Clear Prismatic Drop Plastic
- WG - Wire Guard
- FA - Flush Alum. Door
- RD - Regressed Alum. Door (not available with wire-guard)
- QS - Quartz Standby
- ALU - Aluminum Housing
- SS - Stainless Steel Housing
- TP - Tamper Resistant (available on flush frames only)
- VT - Vertical Lamp

VOLTAGES

- 120 - 120V
- 277 - 277V
- MT - 120/208
- 240/277
- Other Voltages Available on Request

Pulse Start Metal Halide Ballast Available - Consult Factory

